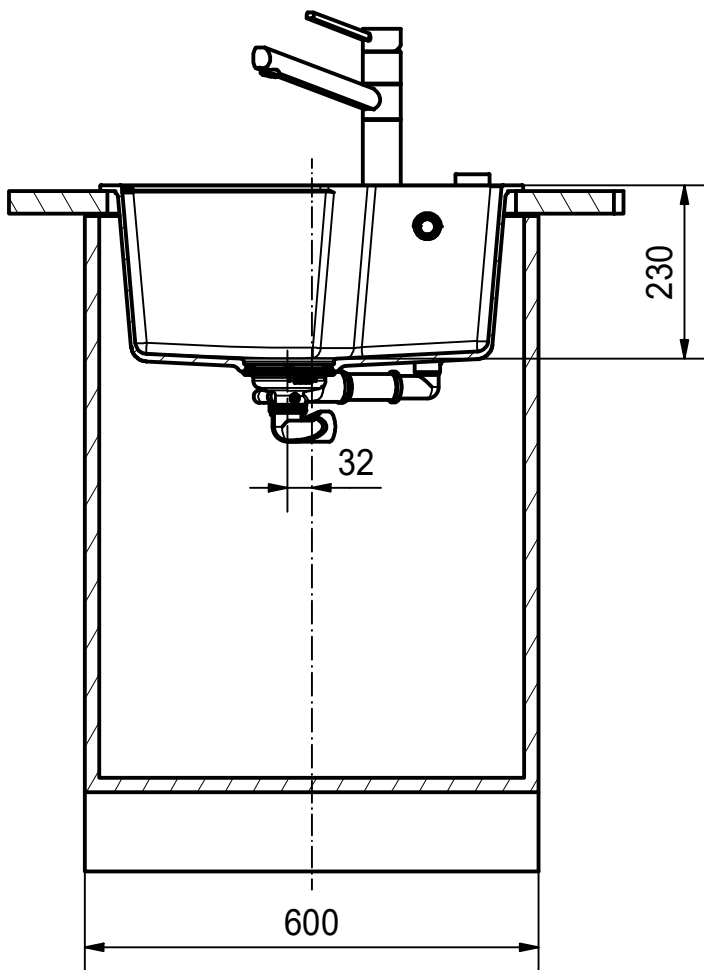


DF



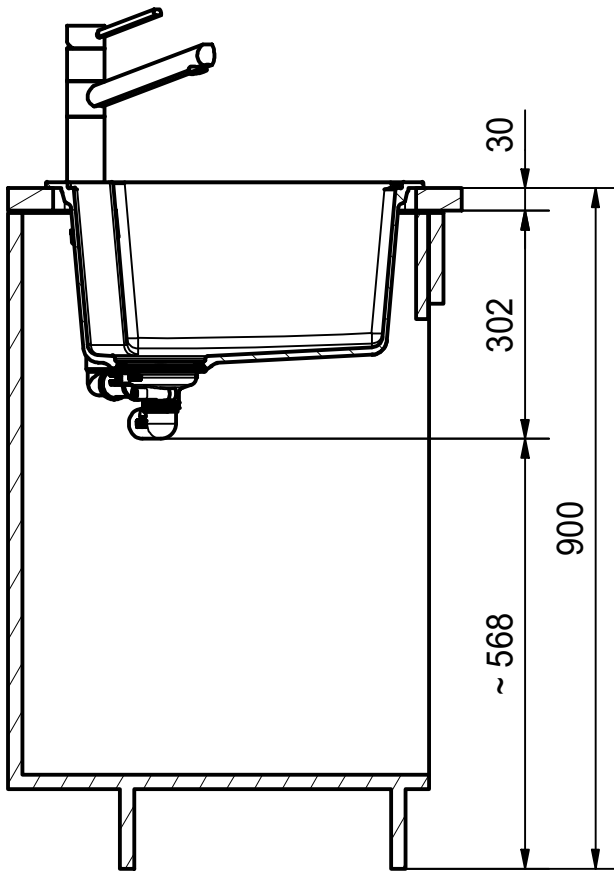
| | | | |
|--|-------------|----------|---|
| Drawing No. | 20127480_04 | Revision | C |
| Drawn Date | 28.05.2018 | | |
| <small>These drawings and specifications are the property of Franke Technology and Trademark Ltd. and shall not be reproduced, copied or transferred to any third party without the prior written permission of Franke Technology and Trademark Ltd., Hergiswil, Switzerland</small> | | | |

Franke Küchentechnik AG
CH-4663 Aarburg
Phone: +41 62 787 31 31
Internet: www.franke.com

UBG 610-56

| | |
|-------|--------|
| Sheet | Sheets |
| 1 | 6 |

DS



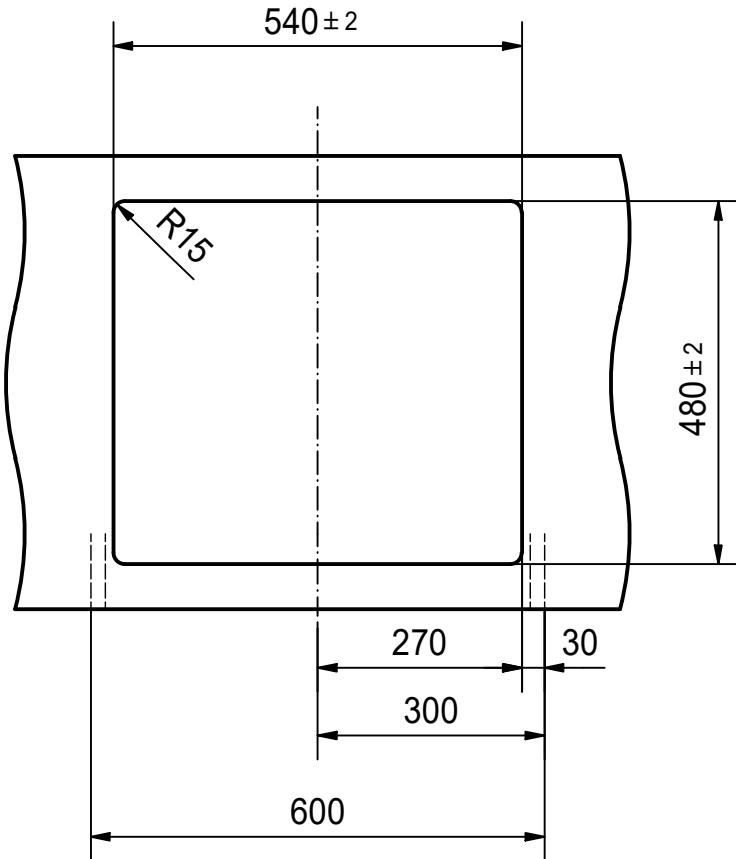
| | | | |
|--|-------------|----------|---|
| Drawing No. | 20127480_04 | Revision | C |
| Drawn Date | 28.05.2018 | | |
| <small>These drawings and specifications are the property of Franke Technology and Trademark Ltd. and shall not be reproduced, copied or transferred to any third party without the prior written permission of Franke Technology and Trademark Ltd., Hergiswil, Switzerland</small> | | | |

Franke Küchentechnik AG
CH-4663 Aarburg
Phone: +41 62 787 31 31
Internet: www.franke.com

UBG 610-56

| | |
|----------|----------|
| Sheet | Sheets |
| 2 | 6 |

CO



| | | | |
|--|-------------|----------|---|
| Drawing No. | 20127480_04 | Revision | C |
| Drawn Date | 28.05.2018 | | |
| <small>These drawings and specifications are the property of Franke Technology and Trademark Ltd. and shall not be reproduced, copied or transferred to any third party without the prior written permission of Franke Technology and Trademark Ltd., Hergiswil, Switzerland</small> | | | |

Franke Küchentechnik AG
CH-4663 Aarburg
Phone: +41 62 787 31 31
Internet: www.franke.com

UBG 610-56

| | |
|-------|--------|
| Sheet | Sheets |
| 3 | 6 |

CNC



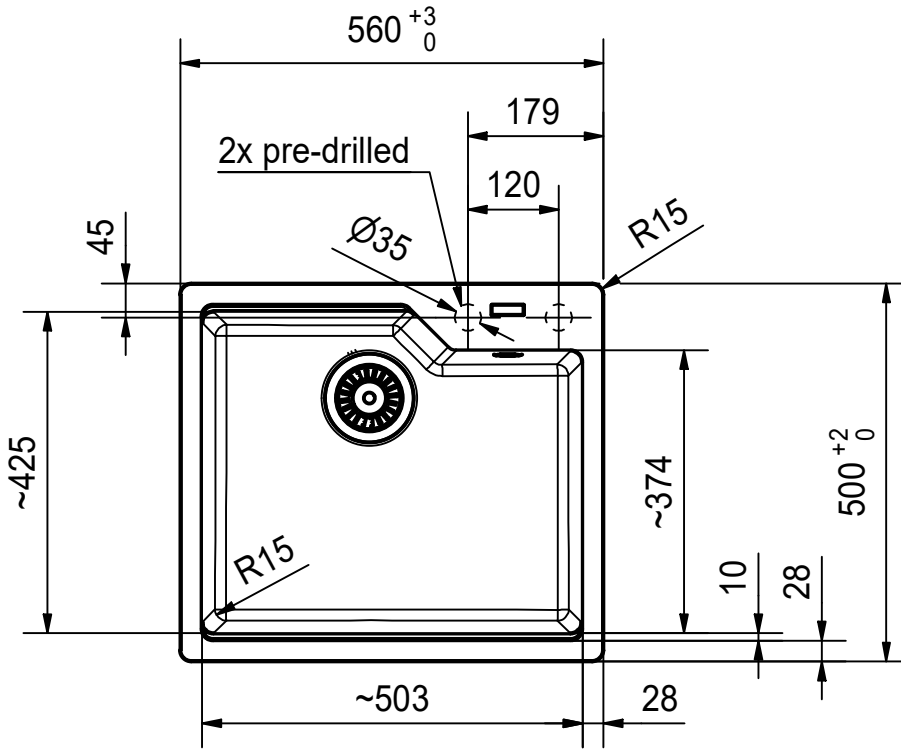
| | | | |
|--|-------------|----------|---|
| Drawing No. | 20127480_04 | Revision | C |
| Drawn Date | 28.05.2018 | | |
| <small>These drawings and specifications are the property of Franke Technology and Trademark Ltd. and shall not be reproduced, copied or transferred to any third party without the prior written permission of Franke Technology and Trademark Ltd., Hergiswil, Switzerland</small> | | | |

Franke Küchentechnik AG
CH-4663 Aarburg
Phone: +41 62 787 31 31
Internet: www.franke.com

UBG 610-56

| | |
|-------|--------|
| Sheet | Sheets |
| 4 | 6 |

DT



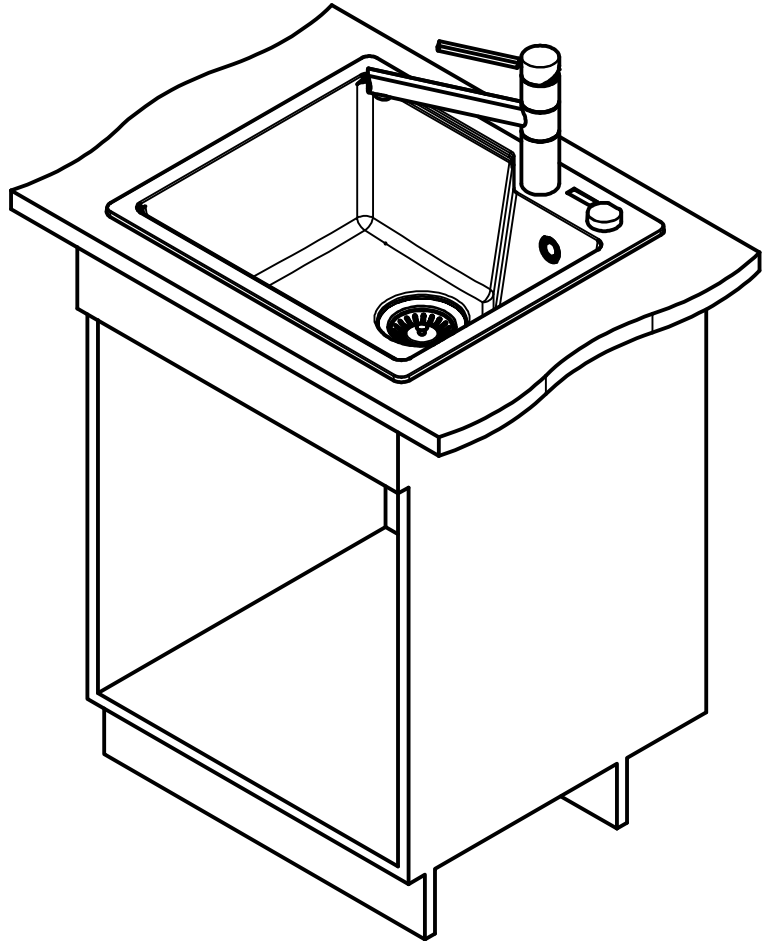
| | | | |
|--|-------------|----------|---|
| Drawing No. | 20127480_04 | Revision | C |
| Drawn Date | 28.05.2018 | | |
| <small>These drawings and specifications are the property of Franke Technology and Trademark Ltd. and shall not be reproduced, copied or transferred to any third party without the prior written permission of Franke Technology and Trademark Ltd., Hergiswil, Switzerland</small> | | | |

Franke Küchentechnik AG
CH-4663 Aarburg
Phone: +41 62 787 31 31
Internet: www.franke.com

UBG 610-56

| | |
|-------|--------|
| Sheet | Sheets |
| 5 | 6 |

ISO



| | | | |
|--|-------------|----------|---|
| Drawing No. | 20127480_04 | Revision | C |
| Drawn Date | 28.05.2018 | | |
| <small>These drawings and specifications are the property of Franke Technology and Trademark Ltd. and shall not be reproduced, copied or transferred to any third party without the prior written permission of Franke Technology and Trademark Ltd., Hergiswil, Switzerland</small> | | | |

Franke Küchentechnik AG
CH-4663 Aarburg
Phone: +41 62 787 31 31
Internet: www.franke.com

UBG 610-56

| | |
|-------|--------|
| Sheet | Sheets |
| 6 | 6 |