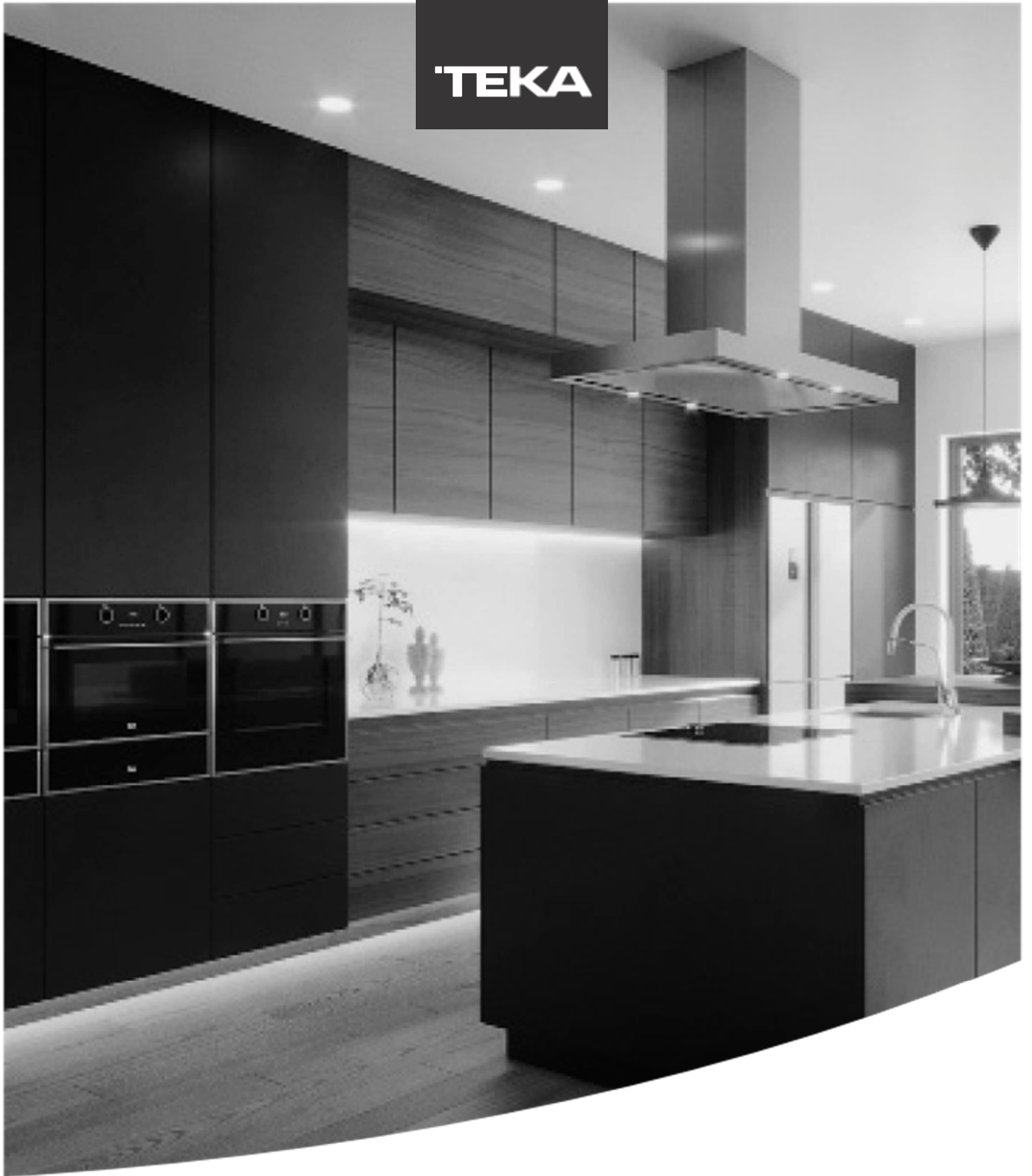


TEKA



User Manual

DHT 97670 ROS WH

EN PT
FR IT
DE PL
ES AR

www.teka.com

Fig. 1

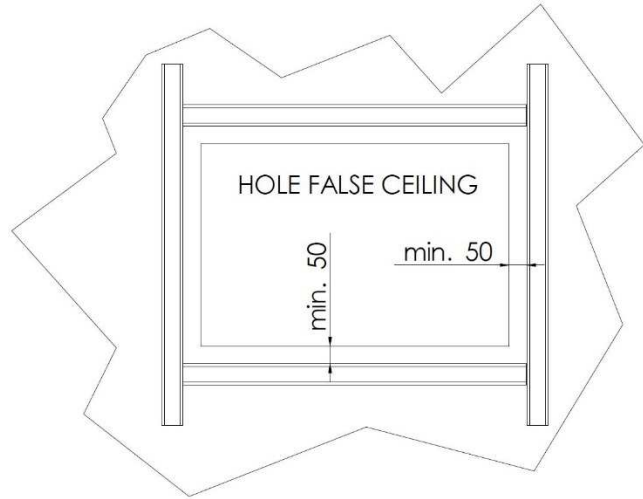
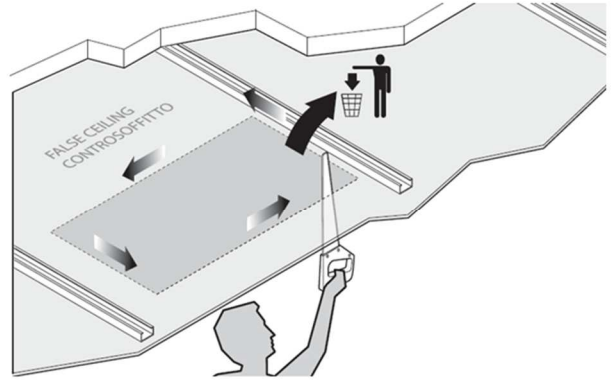
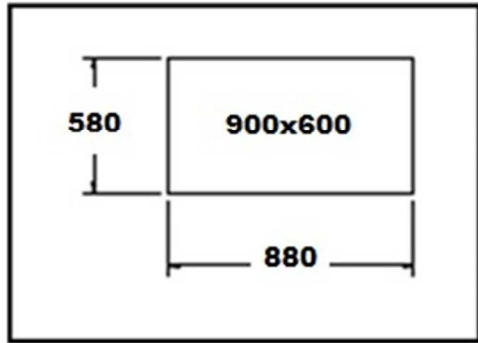


Fig. 2

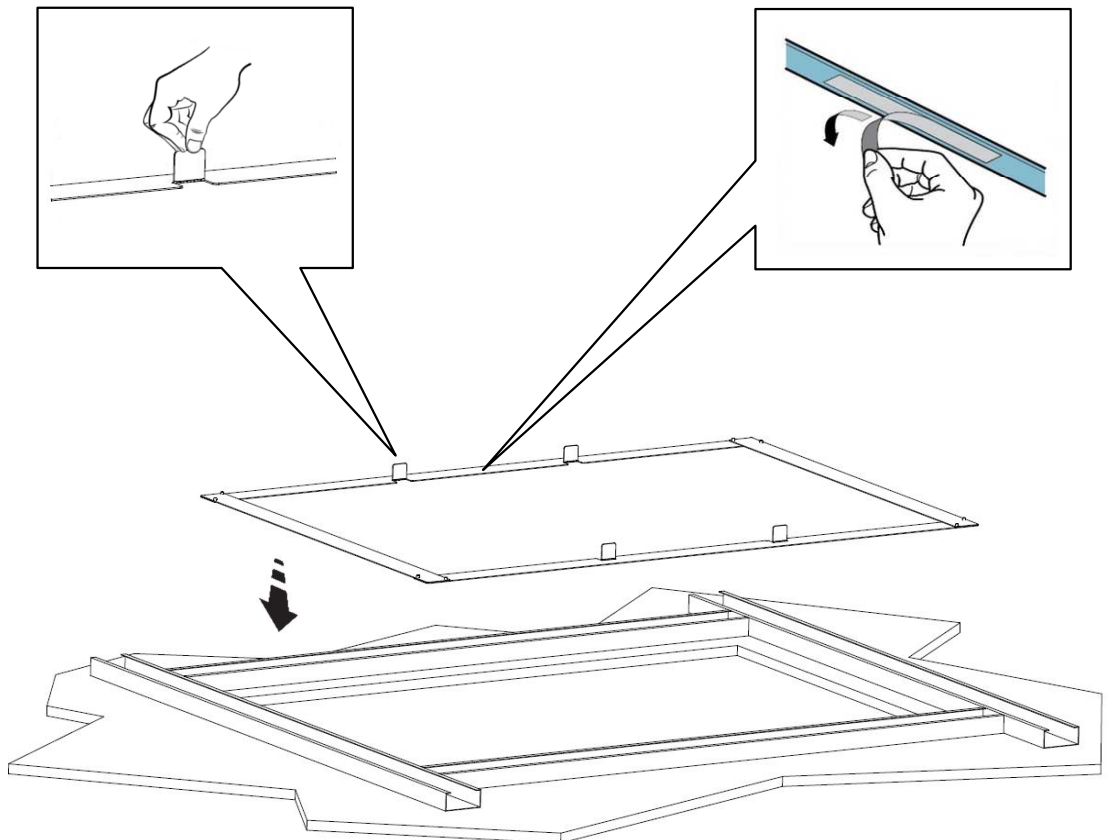


Fig. 3

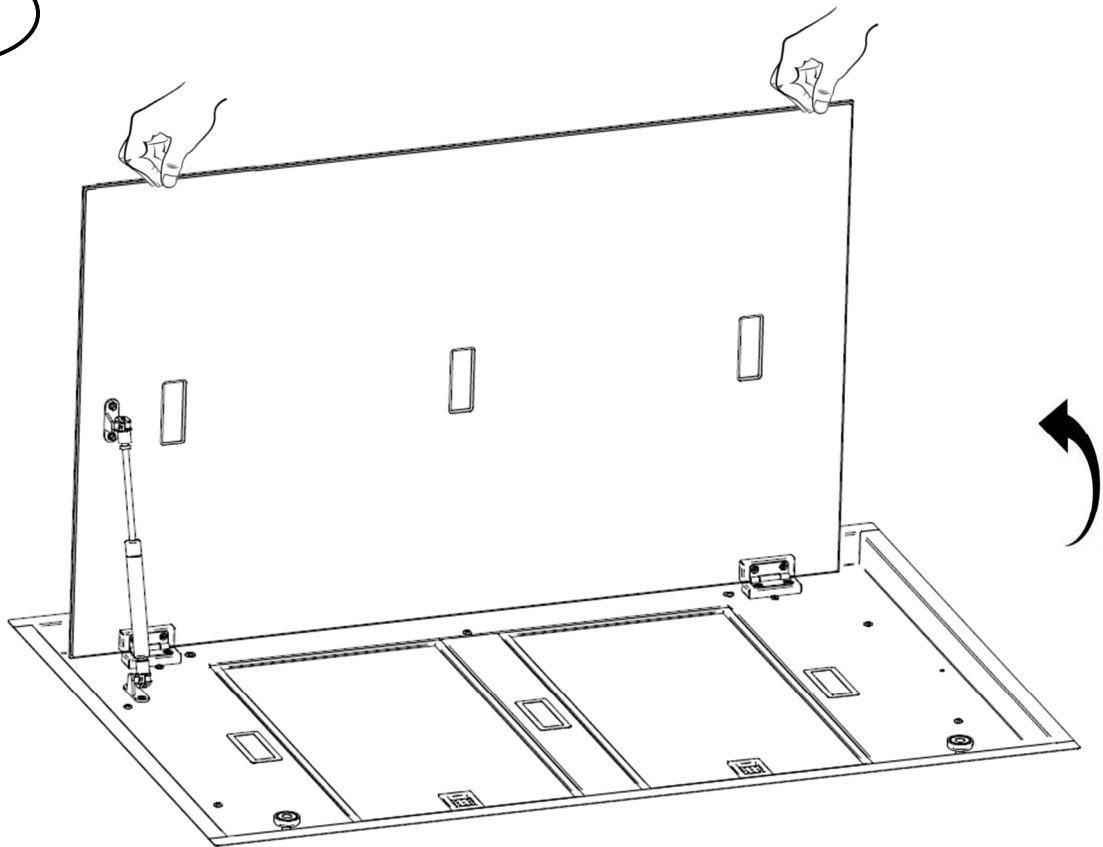


Fig. 4

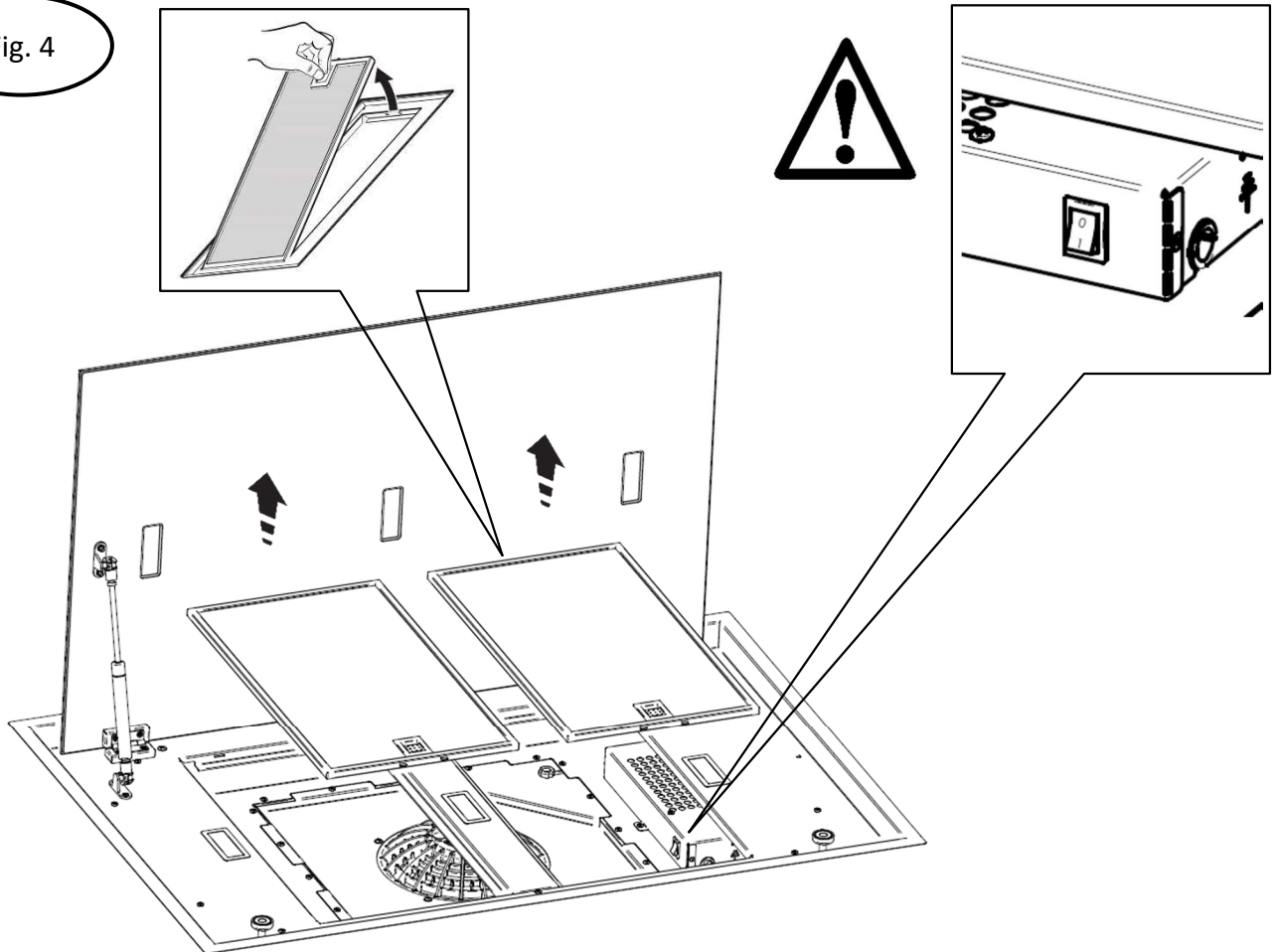


Fig. 5

LAMP CABLE DISCONNECTION



X4

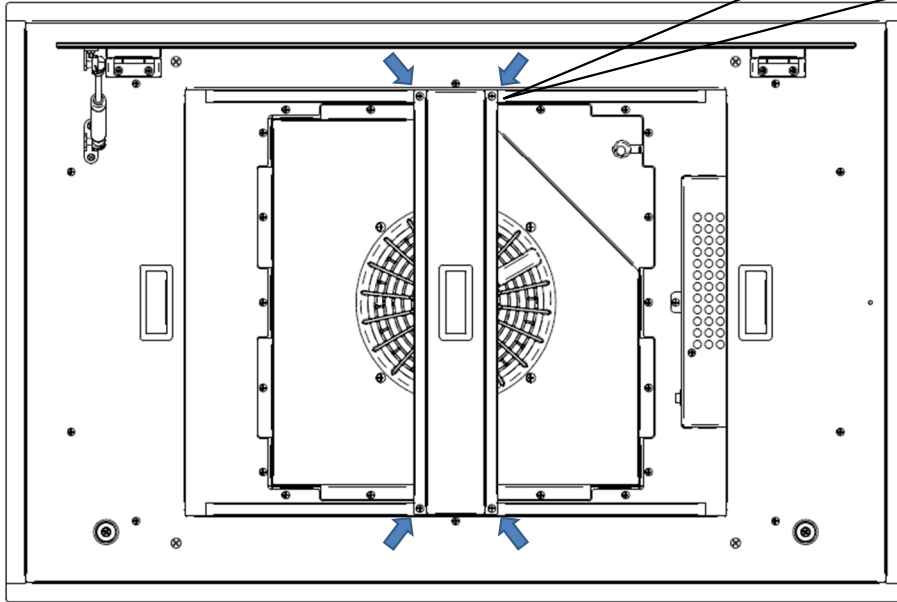
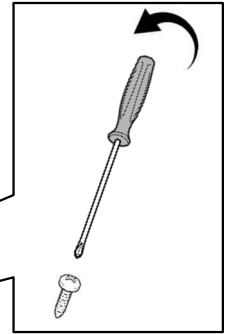
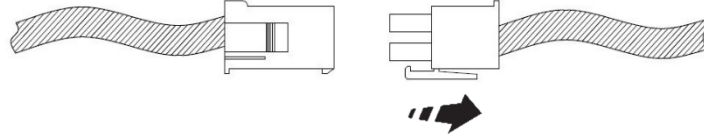


Fig. 6

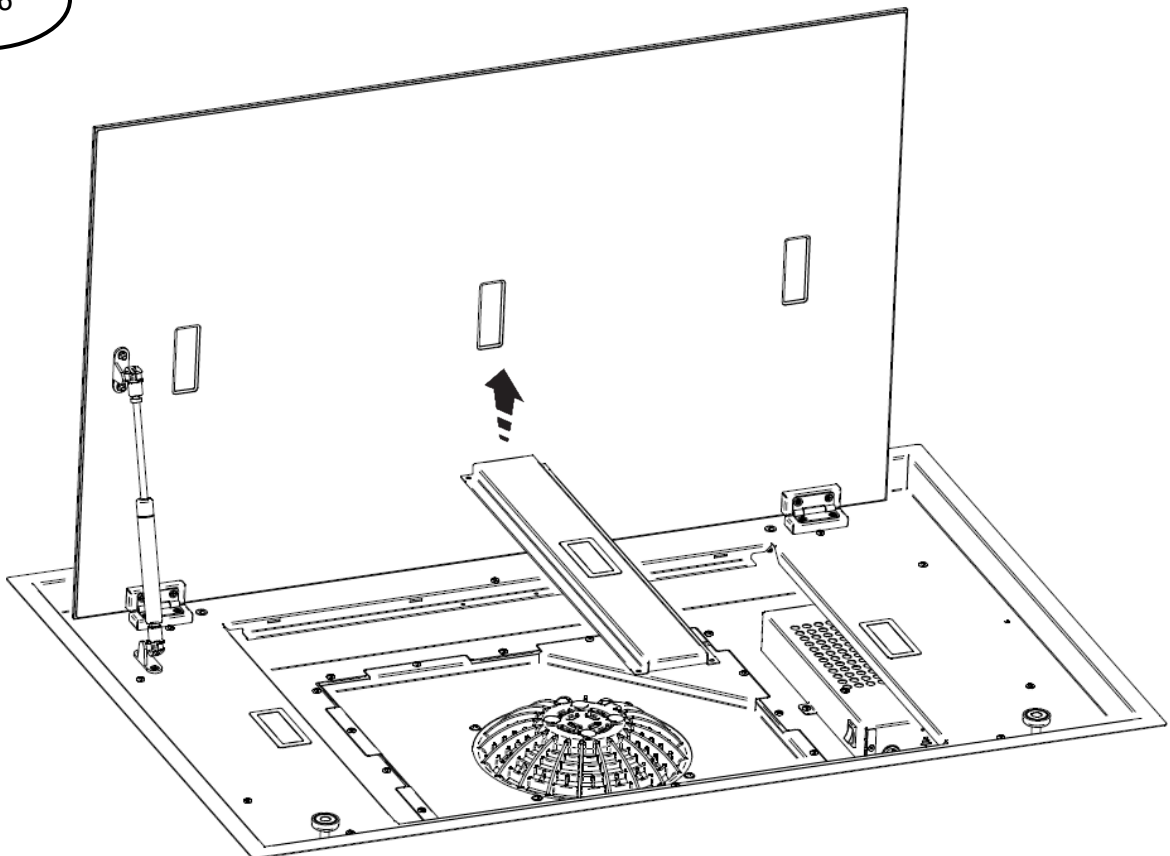


Fig. 7

MOTOR CABLE DISCONNECTION

 X4

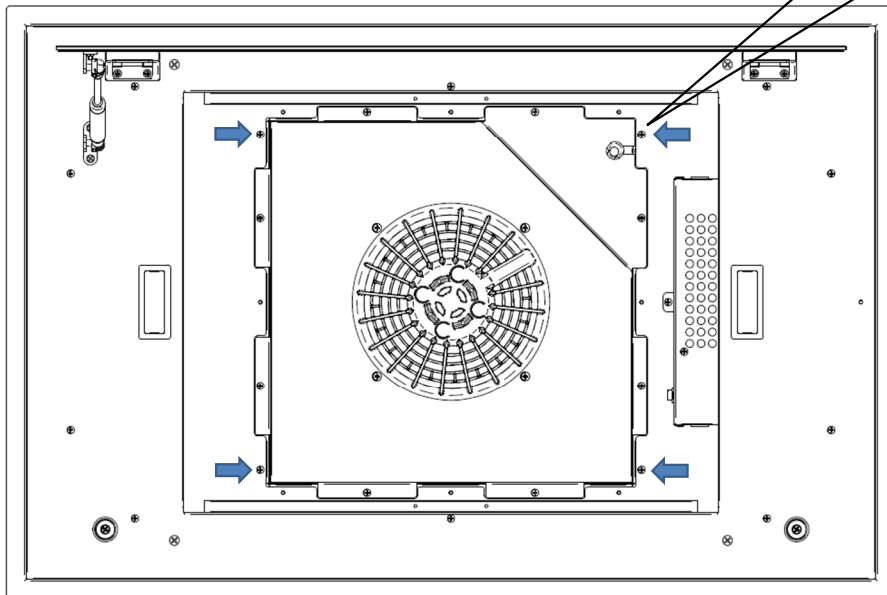
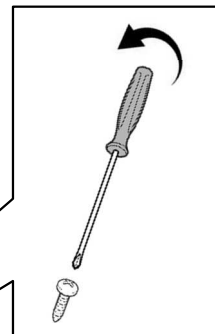
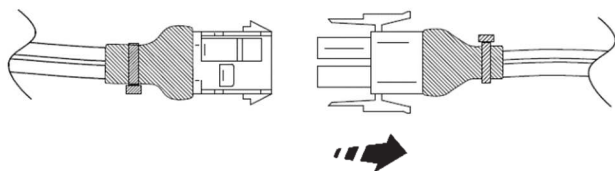


Fig. 8

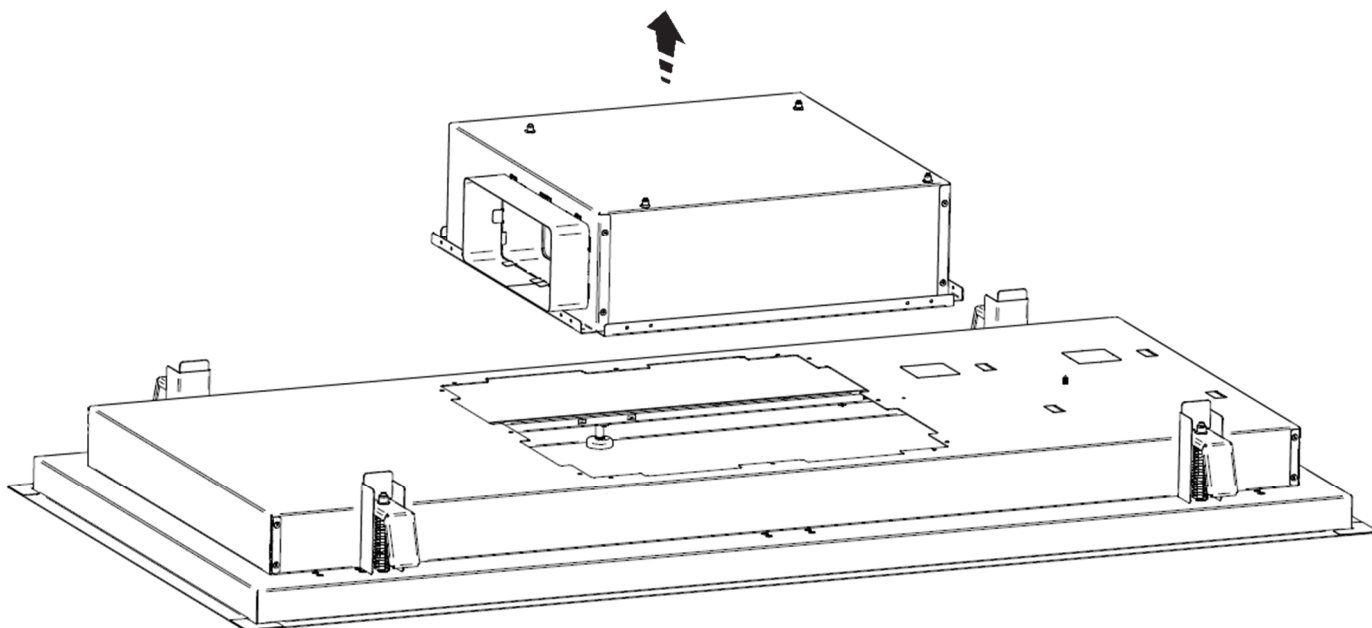


Fig. 9

 x8

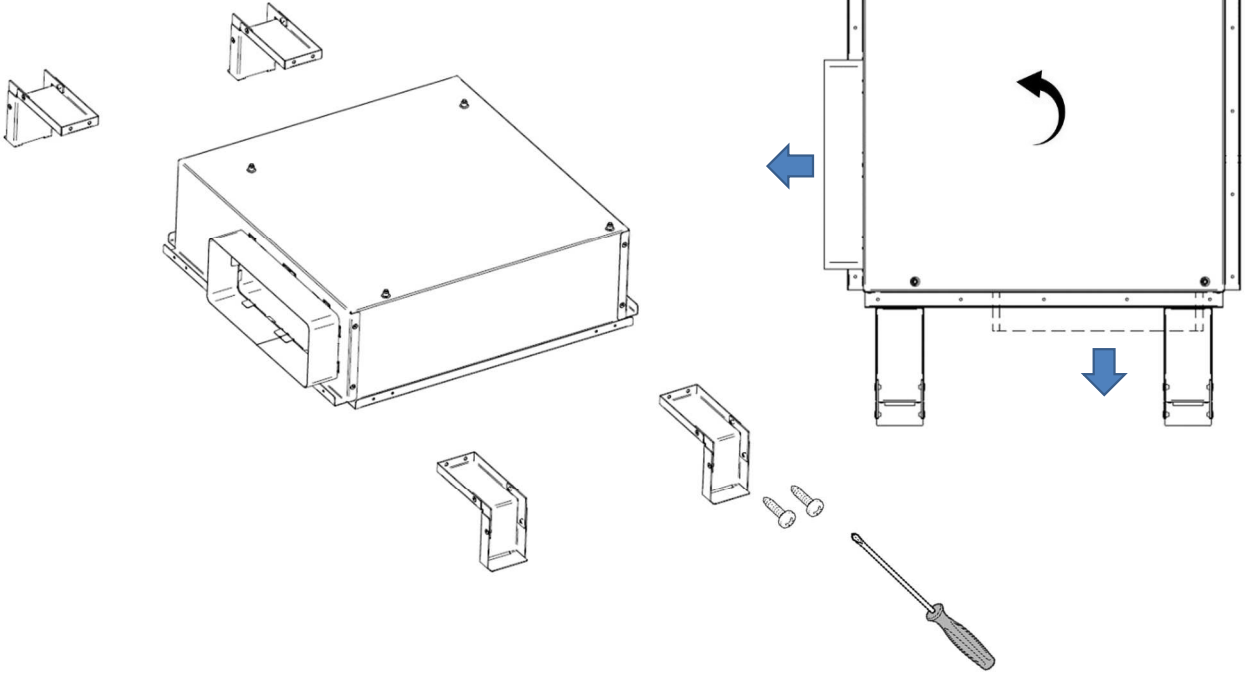


Fig. 10

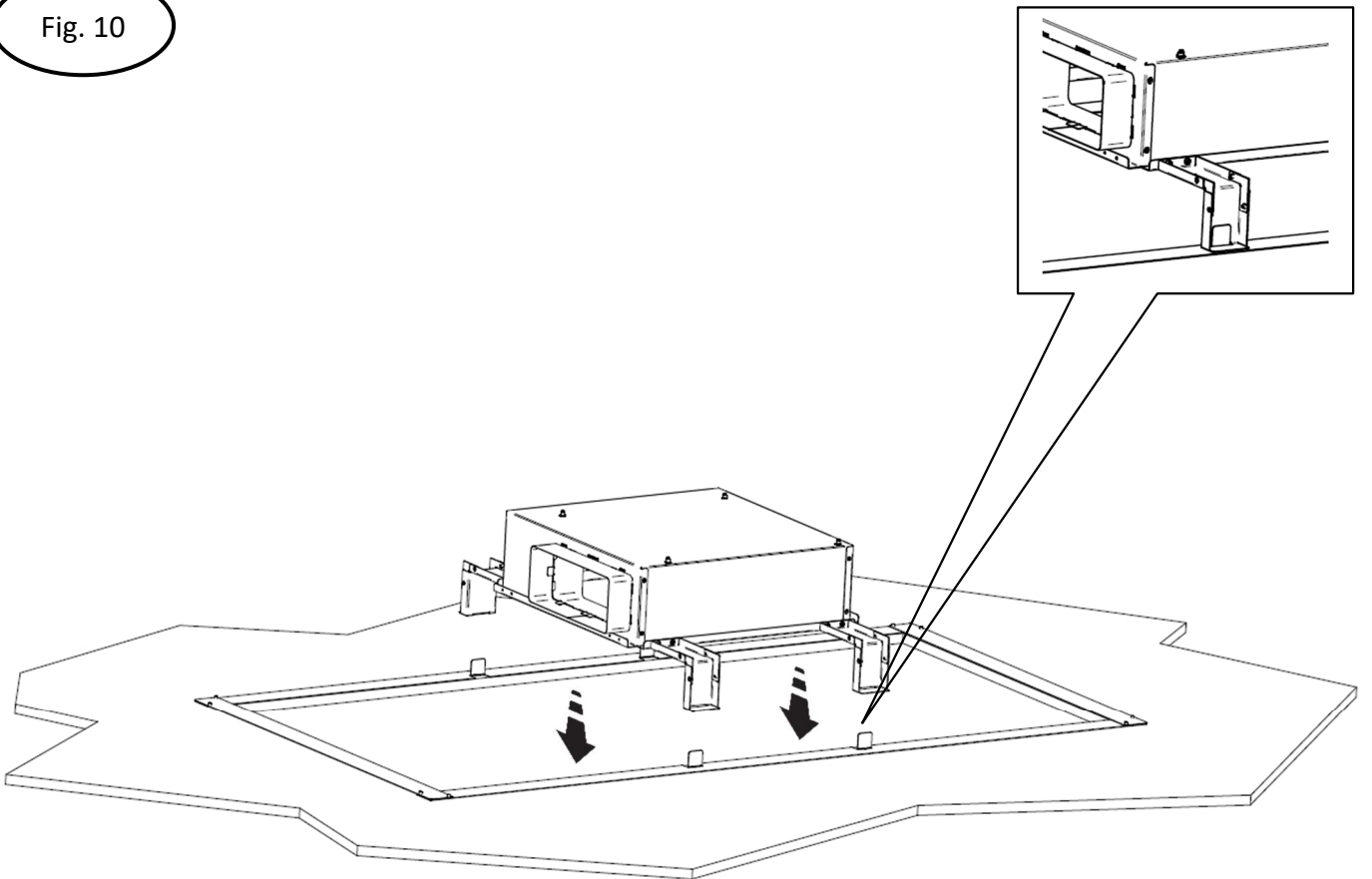


Fig. 11

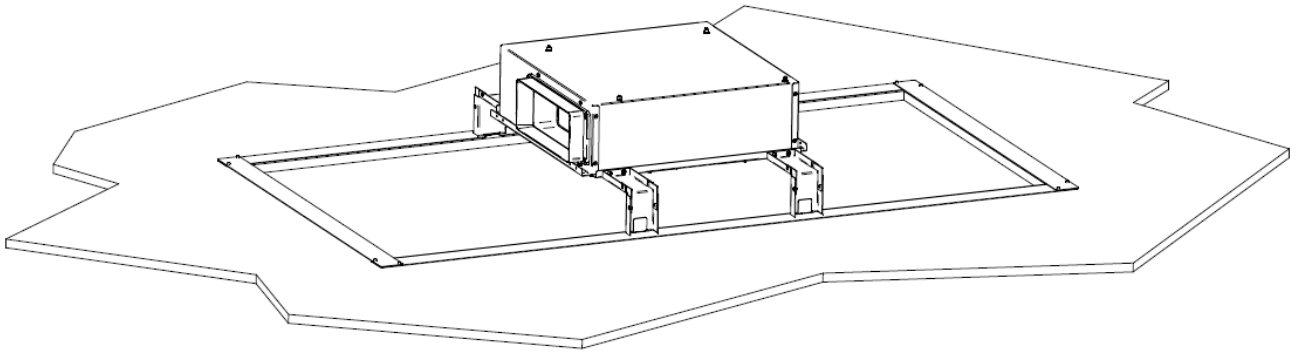


Fig. 12

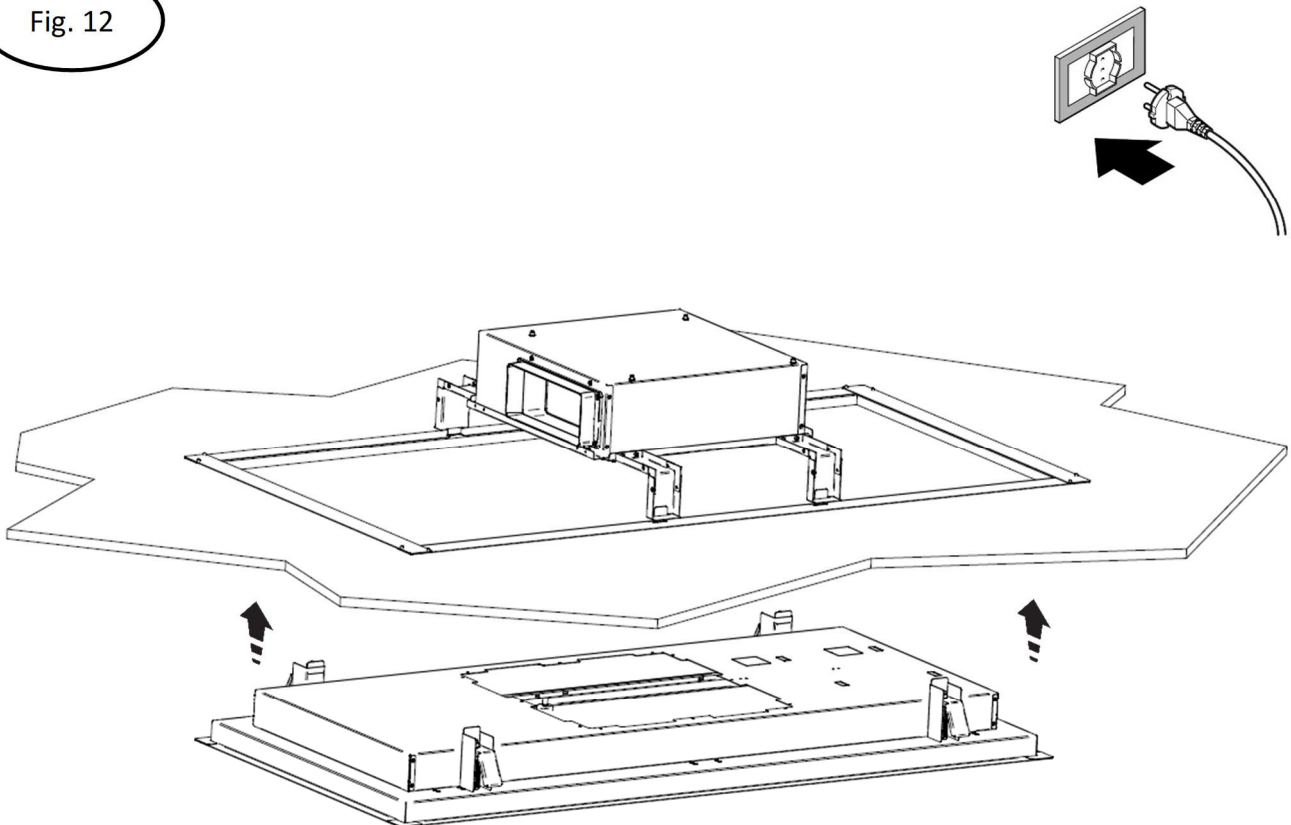


Fig. 13

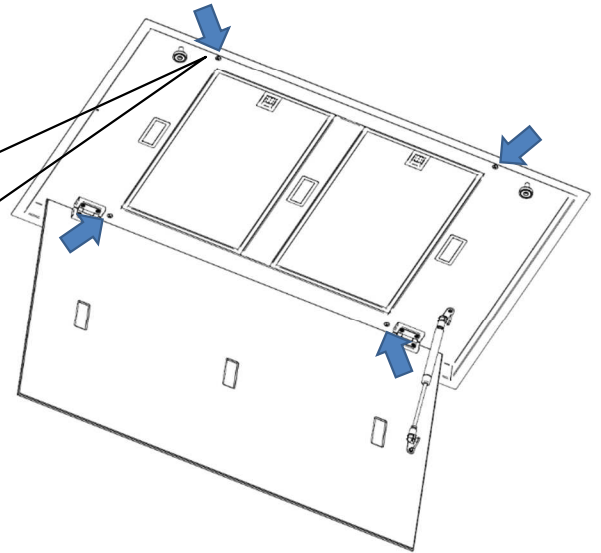
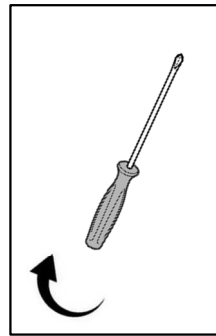
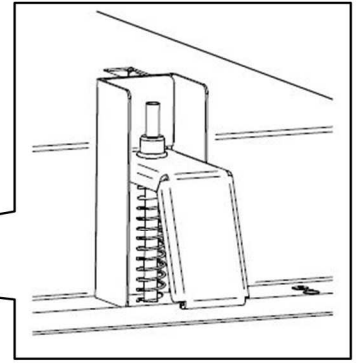
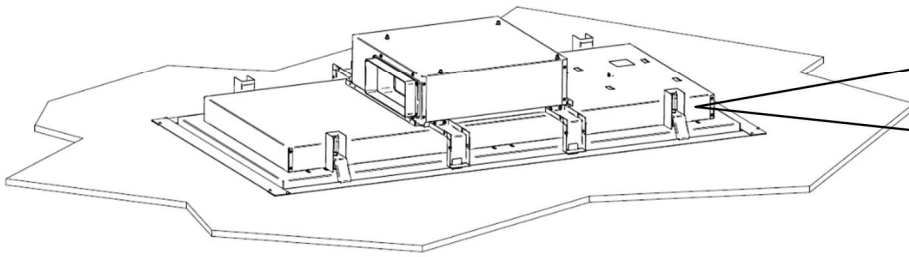


Fig. 14

MOTOR CABLE CONNECTION



X12

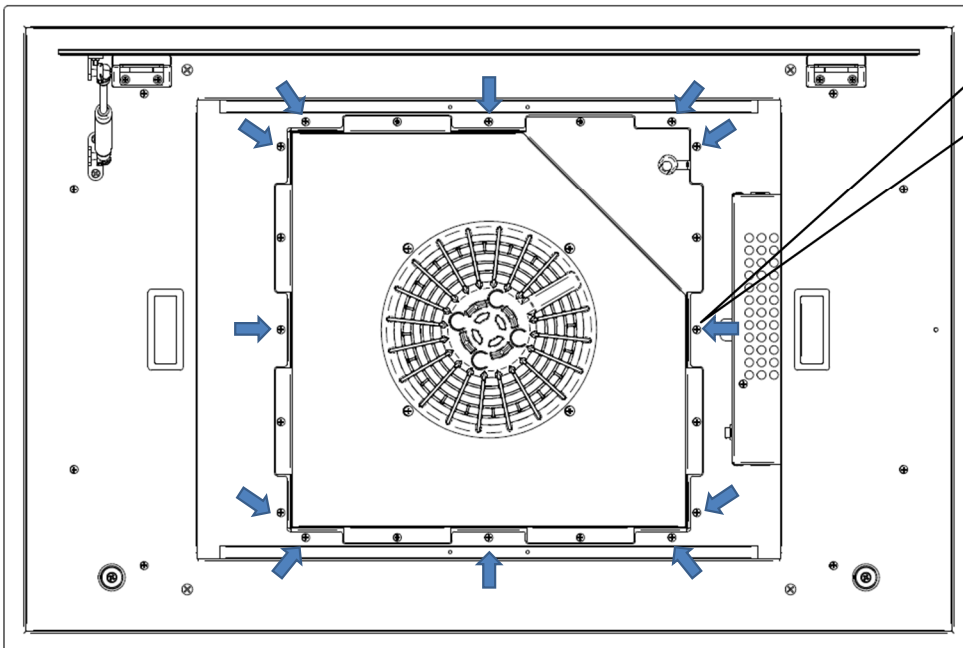
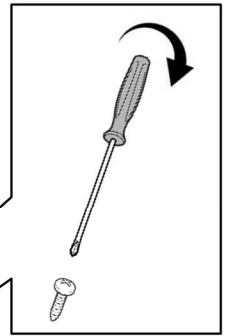
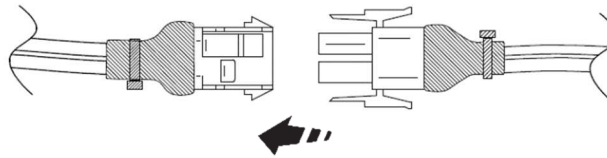


Fig. 15

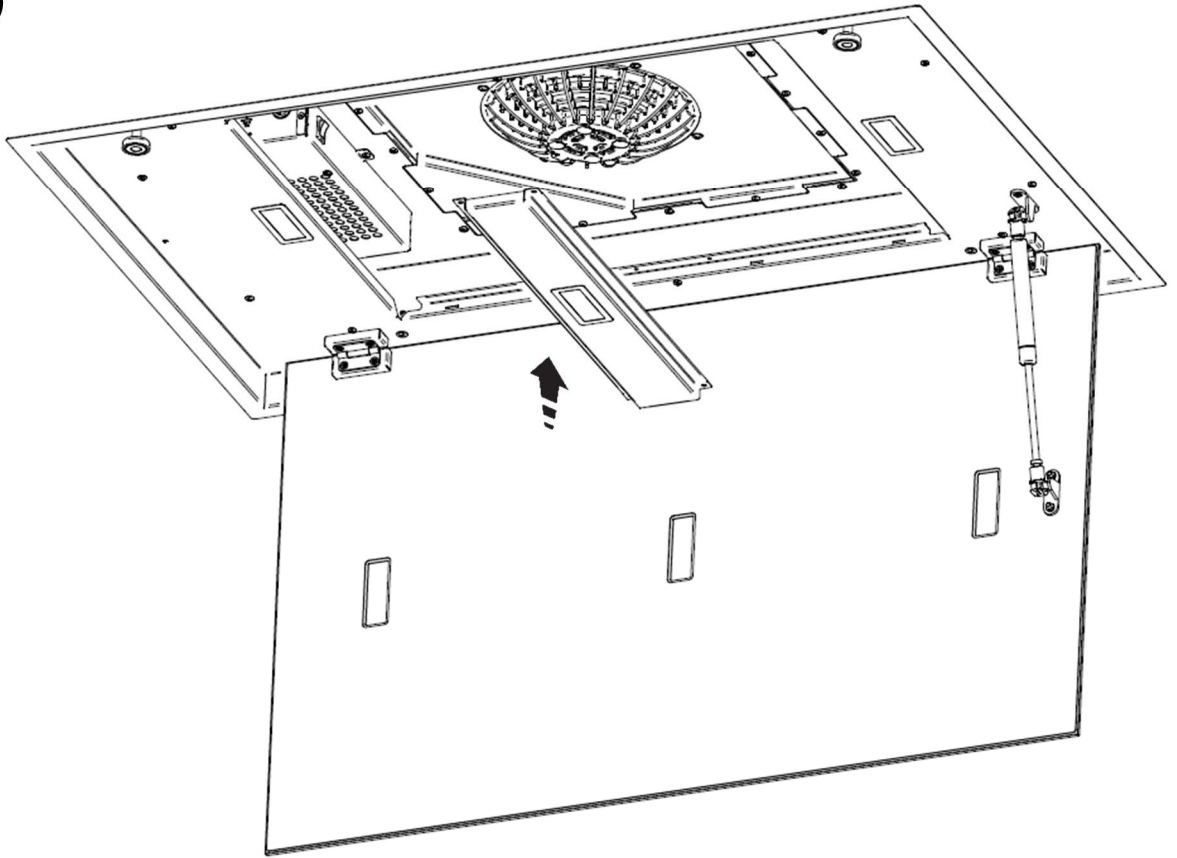


Fig. 16

LAMP CABLE CONNECTION

X4

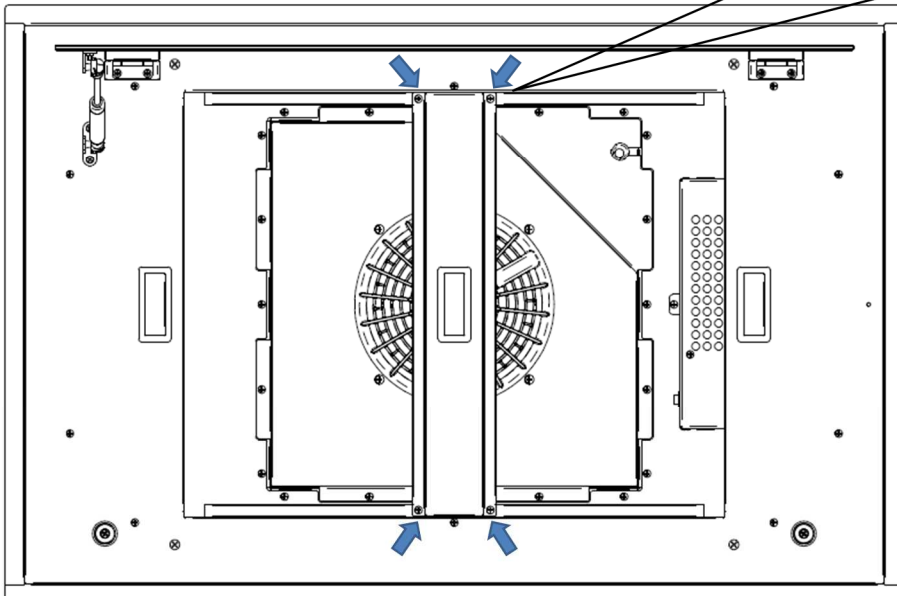
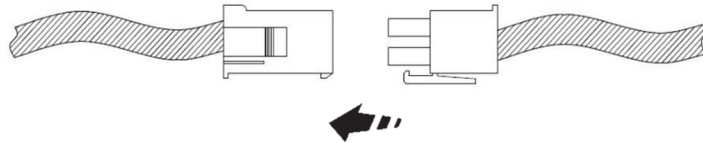


Fig. 17

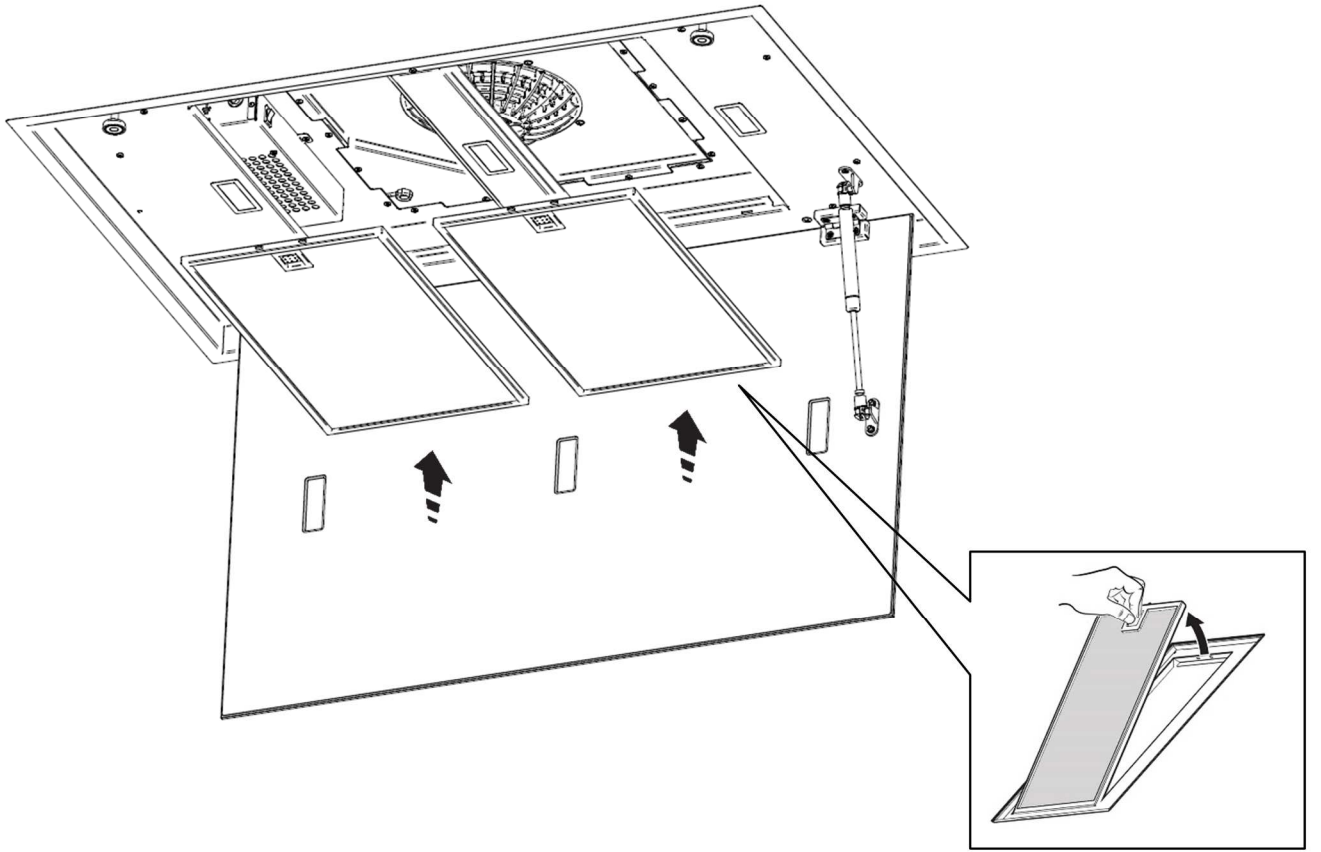
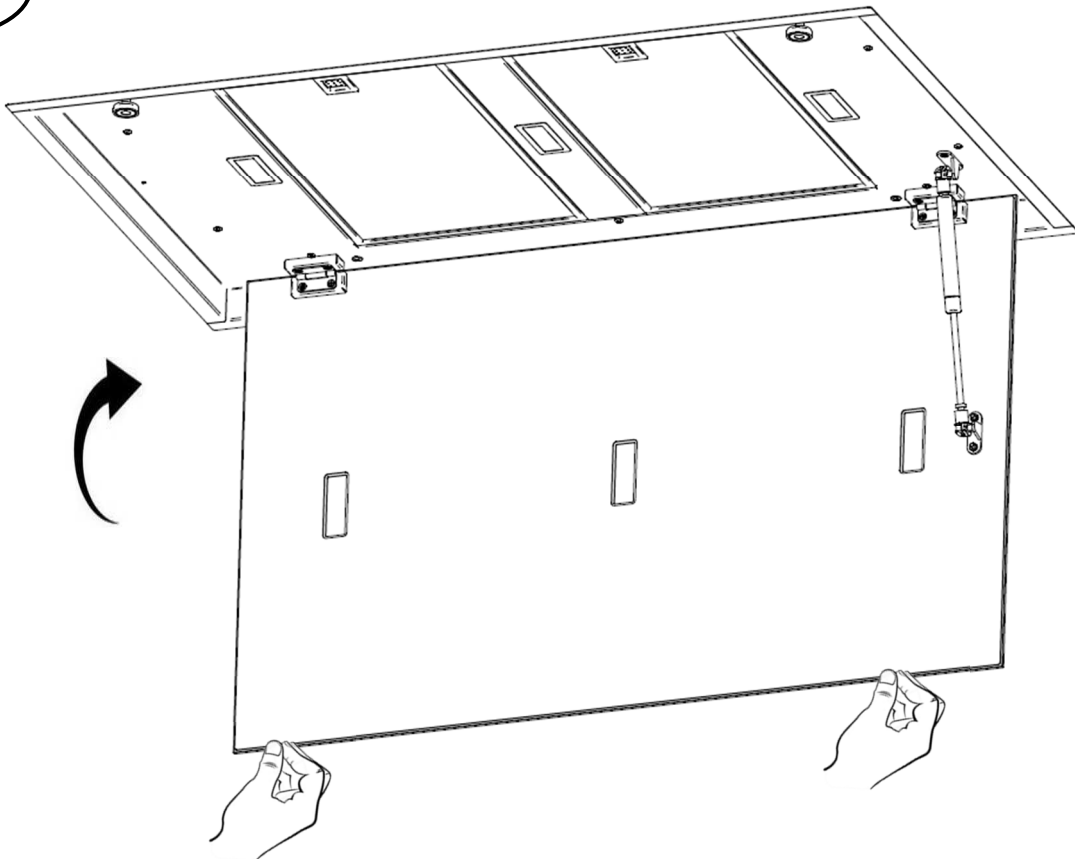


Fig. 18



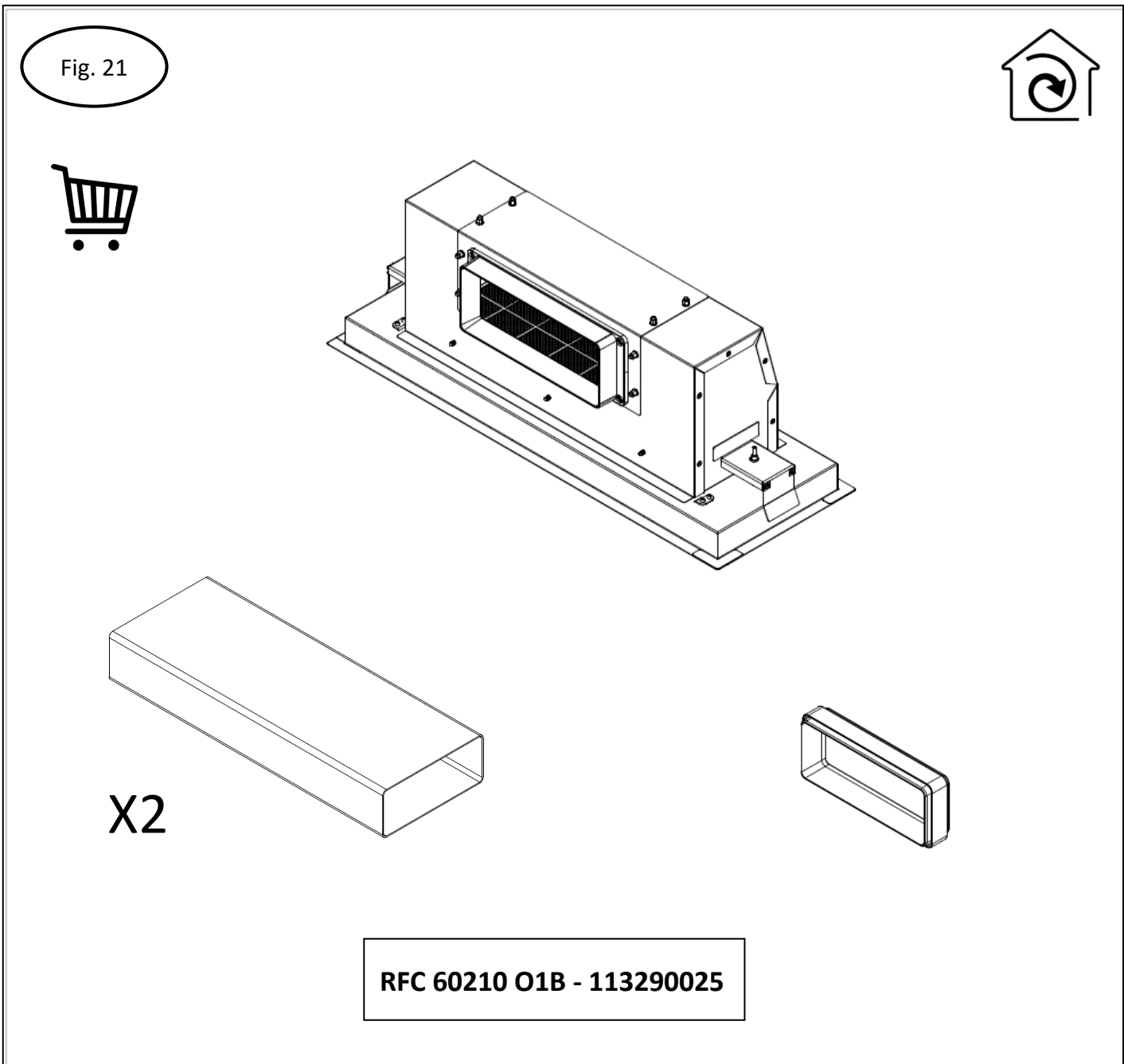
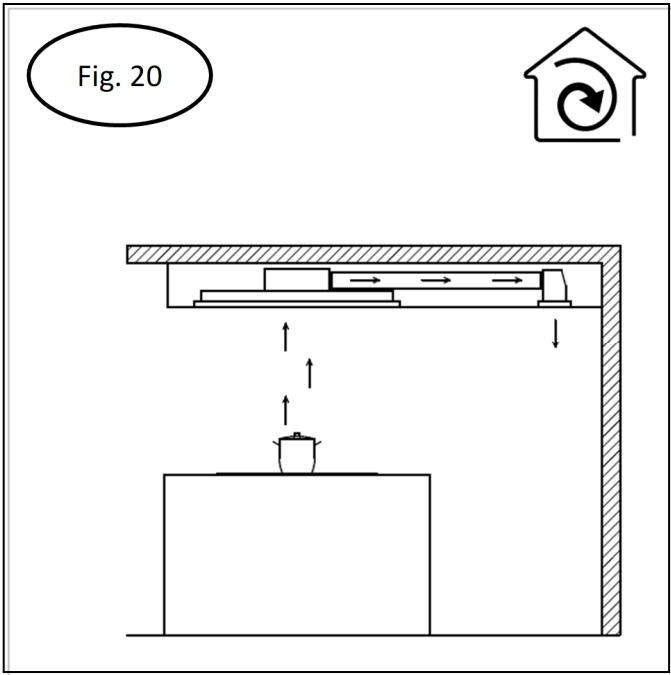
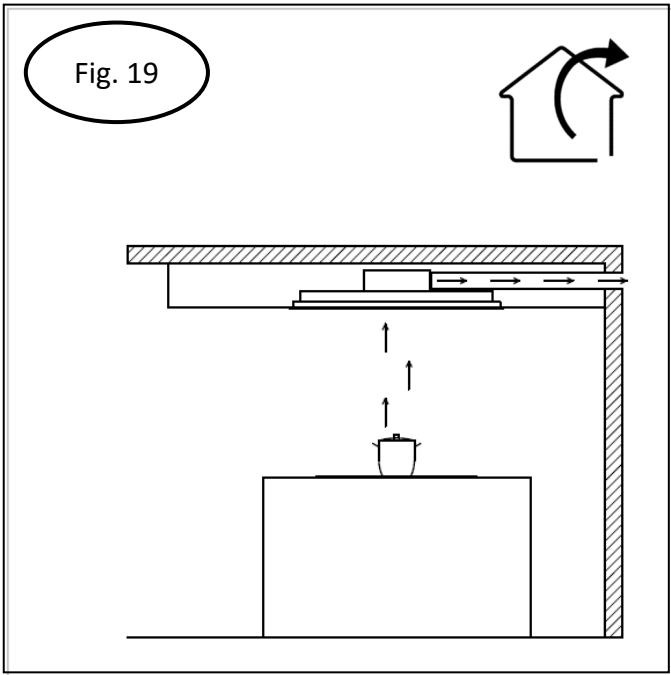
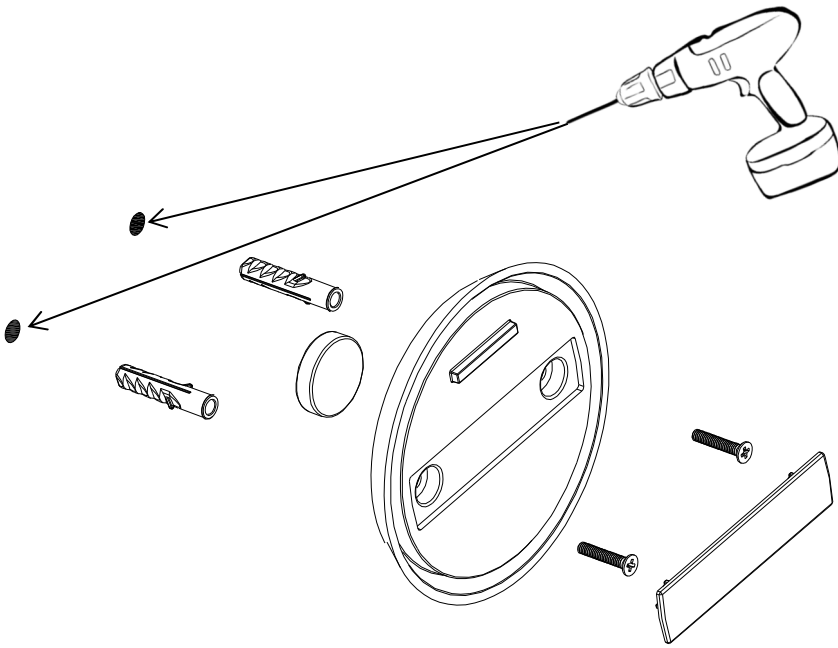


Fig. 22

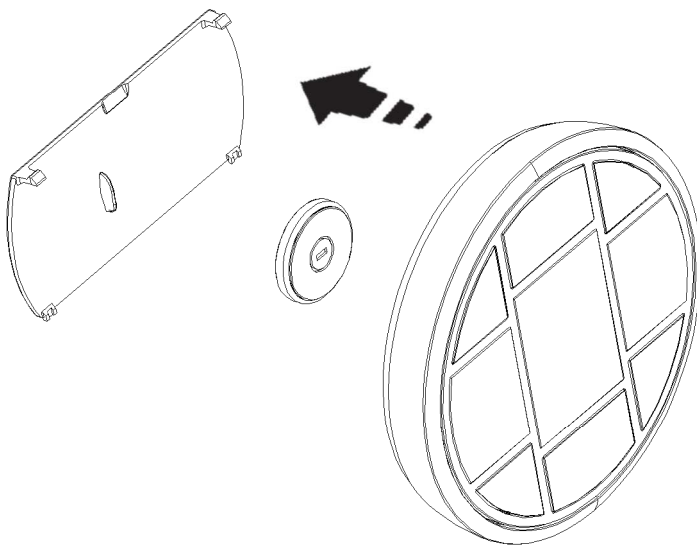


INSTALLATION
CEILING HOOD - EN



INSTALLATION
CEILING - ES

Fig. 23



INSTALLATION KIT
RECIRCULATION - EN



INSTALLATION KIT
RECIRCULATION - ES

SAFETY WARNING

- This appliance has been designed for domestic use in the household environment. Never use the appliance for professional or industrial use.
- This appliance can be operated by children over the age of 8 and by people with impaired physical, sensorial and mental faculties or without the necessary experience and competence only if properly supervised and if they had been duly provided with the necessary instructions concerning the safe use of the appliance and informed of the potential associated risks and warnings.
- Children shall not be allowed to play with the appliance.
- Safety and warning instructions specified in the user manual shall be strictly followed.
- Caution: Failure to use screws and fixing devices according to instructions specified in this manual, may result in electrical risk.
- The appliance shall not be used by persons (children included) with impaired physical, sensorial and mental faculties or without the necessary experience and competence unless they have been properly supervised and instructed.
- Cleaning the appliance carefully after each use is very important, as failure to perform regular cleaning may result in fire risk.

- Make sure all of the appliance components are not damaged. In such a case, do not carry out installation and contact a qualified technical assistance center.
- Qualified installers shall make any necessary carpentry and installation works in full compliance with directives in force.
- Do not connect the appliance to the electrical network during installation.
- Disconnect the appliance from power supply before carrying out any cleaning or maintenance operation.
- Need to allow the disconnection of the appliance from the mains supply after the installation, through an accessible plug or main switch.
- Steam cleaner should not be used.
- Do not use harsh abrasives or sharp metal scrapers to clean glass since they can scratch the surface, which can cause the glass to break.
- CAUTION: Ensure that the appliance is disconnected (OFF) before replacing the lamp to avoid the possibility of electric shock.
- Do not remove the protective plastic from the hood until it is completely installed, if this plastic is not present in areas that could have a risk of damage during installation. This will avoid damage to the outside of the appliance, something that will not be covered by the guarantee.

WARNINGS FOR ELECTRICAL CONNECTION

- Electrical connections shall be approved by a qualified electrician before using the appliance.
- Electrical connection shall be performed by just one qualified electrician, who will be responsible for proper electrical connection of the appliance to power supply.
- Before connecting the appliance to the electrical network, check if voltage, frequency and power values specified in the rating label of the appliance are compatible with home power supply and socket.
- The power cord shall be connected to an omnipolar magneto-thermal breaker with a switch-contact gap of at least 3 mm.
- In case the power cord is damaged, it shall be replaced either by the manufacturer or the technical assistance service or by specialized personnel.
- The power cord shall not enter into contact with surfaces whose temperature exceeds 50° C once the appliance has been installed.

WARNINGS FOR OPERATION

- Ventilation must be provided conveniently in the room if a range hood and appliances powered by gas or other fuel used simultaneously.
- If the hood is used simultaneously with appliances that burn gas or other fuels, the room must have sufficient ventilation

(this warning is not applicable for hoods installed in the filtering version).

- Comply with any local standard in force on air exhaust operations.
- If the appliance is used in the recirculation mode, make sure the exhaust duct is in good conditions in case it was not used for long.
- It is not allowed to cook food over open flames (flambe) under the hood.
- Never leave pots unattended when the hob is on: oil contained in the pot might overheat and burn. Fire risk is quite higher when oil is used.
- Grease filters proper maintenance and accurate cleaning are extremely important.
- Clean the hood and the other surfaces regularly in order to avoid any fire risk.
- CAUTION: when the hob is on, accessible parts of the hood might become hot.
- Connection of the exhaust device to exhaust ducts or channels and pipes for room ventilation is not allowed.
- Extracted air shall not be conveyed into a hot air circulation duct.
- Air shall not be discharged into a chimney flue used for fumes from household appliances powered by gas or other fuels (this

is not applicable in case of hoods working in the recirculation mode).

- Adequately ventilate the room when a cooker hood and other
- Maximum negative pressure in the room shall not exceed 4 Pa (4×10^{-5} bar).
- The room where the hood is being installed shall be provided with an air intake whose capacity shall be greater than the hood exhaust device one. It is strictly forbidden to place the limbs or any other part of the human body, as well as cooking objects or other objects, near the extractable unit of the hood (if your appliance is equipped with it).
- Range hoods and other cooking fume extractors may adversely affect the safe operation of appliances burning gas or other fuels (including those in other rooms) due to back flow of combustion gases. These gases can potentially result in carbon monoxide poisoning. After installation of a range hood or other cooking fume extractor, the operation of open flued gas appliances should be tested by a competent person to ensure that back flow of combustion gases does not occur.

For a safe use of the product and to know all the features and performances:

- **Carefully read this instruction manual for use before installation and commissioning.**

- **Attention especially to safety warnings!**
- **The appliance may only be used as described in this instruction manual.**
- **Keep the instruction manual.**
- **If you give the appliance to a third party, also give the instruction manual.**

Dear Customer,
thank you for choosing us!

Congratulations for having purchased your new kitchen hood.

In order to use the appliance safely and to better know all of its features and performances:

- Read this instructions manual carefully before installing and switching the appliance on.
- Special attention shall be paid to safety warnings!
- The appliance shall only be used according to instructions given in this user manual.
- Keep this instruction manual for further reference.
- In case the appliance is given to third party, the instructions manual shall also be given.

GENERAL INFORMATION

When exchanging information with the appliance MANUFACTURER, please refer to the serial number and identification data specified in the rating label.

This appliance has been designed, tested and manufactured in full compliance with any relevant standards on:

- Safety: CEI/EN 60335-1; CEI/EN 60335-2-31;
- Performance: CEI/EN 61591; CEI/EN 60704-1; CEI/EN 60704-2-13; EN 50564; CEI 62301.
- EMC: EN 55014-1; EN 55014-2; CEI/EN 61000-3-2; CEI/EN 61000-3-3.

Recommendations for proper use of the appliance aimed at reducing environmental impact: when you start cooking, switch the hood on at minimum speed and switch it off only few minutes after you finished cooking. Increase the hood speed only in case of large amounts of vapours and fumes, and use the booster function only when absolutely necessary. Clean the grease filter only when necessary, in order to keep its efficiency over time. Use a piping system having the maximum diameter specified in this manual, in order to increase efficiency and reduce noise levels.



The symbol on the appliance or on its documentation indicates that this product shall not be treated as household waste, but it shall be handed over to a specific collection point for the recycling of electrical and electronic equipment. Proper disposal of this appliance will help reduce raw materials consumption and environmental pollution. For more detailed information about recycling of this appliance, please contact your local city office, your household waste disposal service or the shop where you purchased the appliance.

Spare Parts

Use original spare parts only.

Replace components before they are worn out. Perform regular maintenance checks, as detailed in the "MAINTENANCE" section.

Warranty

In order to enjoy the MANUFACTURER'S warranty, users shall strictly follow all the instructions specified in this manual, in particular they shall:

- use the hood only for its intended purposes;
- perform continuous and scrupulous maintenance operations;
- allow the use of the hood only to persons with proven skills and know-how.

Failure to comply with the instructions contained in this manual will immediately void the manufacturer's warranty.

INSTALLATION INSTRUCTIONS

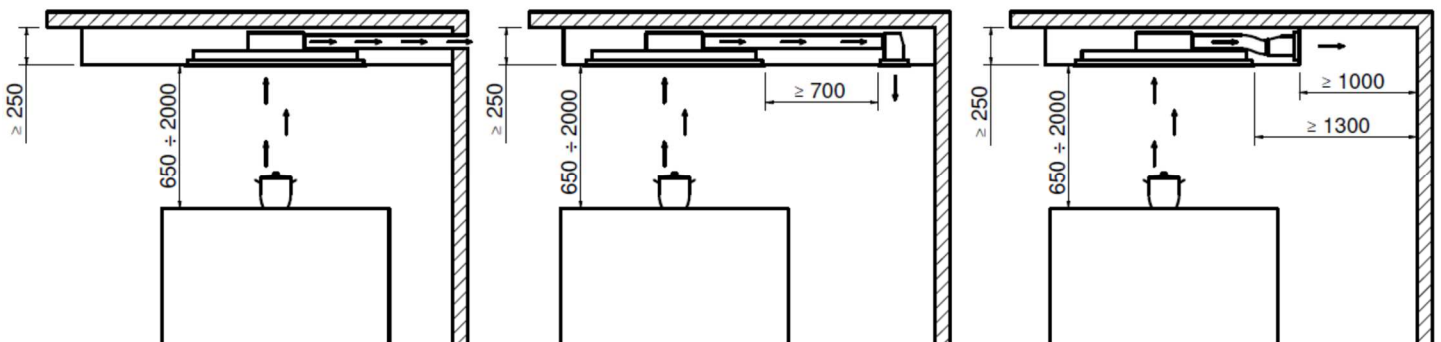
- Installation and electrical connection operations shall be performed according to these instructions and by qualified and specialized personnel.
- Wear protective gloves before and during installation.
- Check that no accessory material provided with the appliance (manuals, accessories, etc) is placed inside the hood: in such a case remove and keep them.
- Figures shown in this installation manual might also refer to different aesthetics of the appliance: in any case use, installation and maintenance instructions remains the same.

Minimum installation safety distance

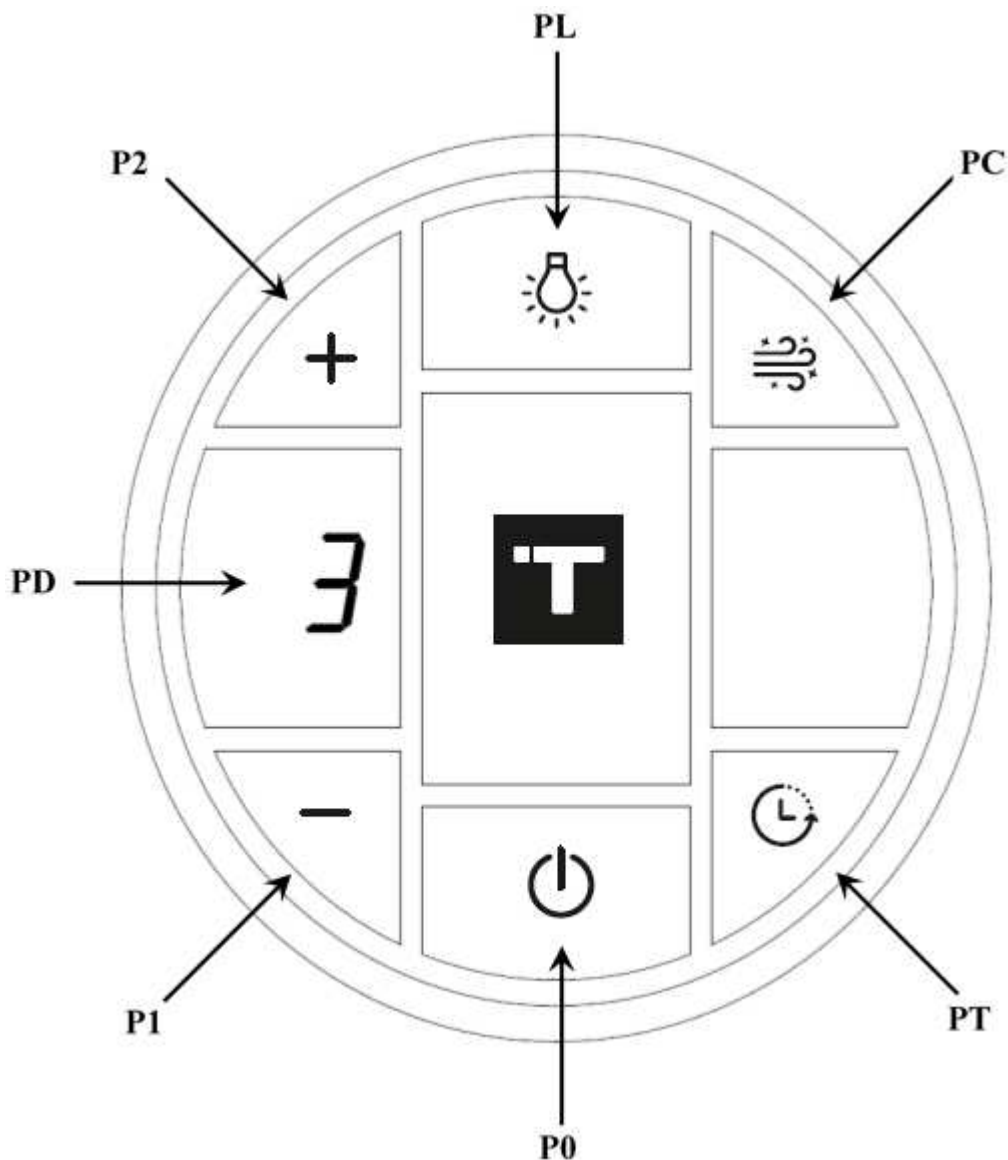
The distance between an electric hob and the lower part of the hood must be at least 550 mm, while between a gas hob and the lower part of the hood must be minimum 650 mm.

The recommended installation distance between the ceiling hood and the hob is between 1300 and 1500mm, while the maximum distance is 2000mm.

This hood is designed to be installed on the ceiling both in the **ASPIRATING** version with evacuation of fumes to the outside and in the **FILTERING** version by purchasing the appropriate kit (113290025).



CONTROL INSTRUCTION



The remote control will arrive already programmed with the hood, if for any reason the remote control loses communication with the hood, perform the following procedure:

- Disconnect the hood from the power supply;
- Wait a few seconds and restore the power and within 10 seconds press the “P1” and “PT” buttons at the same time for about 3 seconds.

The remote control will be operational again.

FUNCTIONS

P0: MOTOR ON / OFF key.

If selected with the engine off, the display shows a zero “0” for about 1 second.

P1: key to decrease the motor speed, if the hood is in 1st speed it switches off the motor.

P2: key to increase the motor speed, if the hood is off it switches on the 1st speed, pressing a second time activates the 2nd speed, pressing a third time activates the 3rd speed, pressing a fourth time activates the 4th speed, pressing a fifth time activates the 5th speed (1st speed intensive) (**), pressing a sixth time activates the 6th speed (2nd speed intensive) (**).

The numbers of the selected speeds appear on the display (“1”, “2”, “3”, “4”, “5”, “6”).

(**) Intensive speeds: the duration of the intensive speeds is 6 minutes after which the electronics automatically return to 4th speed.

PL: LIGHTS ON / OFF key

Light intensity: by pressing the "PL" button for a long time with the lights on, the intensity of the light will begin to decrease until it reaches the minimum value; releasing the button interrupts the descent of the light intensity. Once the minimum value is reached and by pressing the "PL" key again for a long time, the light intensity will begin to increase until it reaches the maximum value; if released, it stops at the brightness reached.

Light Color: with the hood off and the lights off, press and hold the "PL" button until the LED on the hood comes on to enter the dynamic light menu. With single presses of the "PL" key you will have the variation of the color tone of the light from 2700 ° K to 4000 ° K in 10 steps. Once the desired tone has been reached, you will have to wait 10 seconds, the LED on the hood will stop flashing and the function will be memorized.

PC: FRESH AIR ON/OFF key

Fresh Air Activation / Deactivation: By pressing the "PC" button once you will enter on the Fresh Air/Clean Air function menu. Then, pressing "PC" button again for a long time with the hood off Fresh Air function will be activated (it will display a "C" on the screen). This function allows the engine to be switched on at **1st speed for 10 minutes followed by 50 minutes of stand-by**. This option remains active during a period of 24 hours. To deactivate the Fresh Air function, press the "PC" or "P0" key again. While the function is active, both with the engine running and in stand-by, the hood LED will flash every 5 seconds.

Clean Air Activation / Deactivation: By pressing the "PC" button once you will enter on the Fresh Air/Clean Air function menu. Then, pressing the "PC" once the Clean Air function will be activated (a "C" appears on the display).

When this function is activated, the motor is set **at maximum speed for about 6 minutes**, at the end of the 6 minutes the motor will switch off automatically.

To deactivate this function, press the "PC" key or the "P0" key.

Note: this function can only be activated with the hood on and has priority over all the other active motor functions.

PT: TIMER button (a "T" appears on the display)

The timer performs a 15-minute countdown and can only be activated with the engine running. The duration of 15 minutes does not change even if the speeds are changed during the countdown.

At the end of the 15 minutes the engine stops.

PD: Display

Buzzer activation / deactivation: by default the hood is supplied with the buzzer active, if you want to deactivate, with the hood off, turn on the lights by pressing the "PL" key, then press and hold the "PT" and "P1" keys until the switching on of the hood led without acoustic signal. If you want to reactivate, repeat the operation described above, the LED will light up and the acoustic signal will be emitted to confirm.

Note: To save battery power, the display remains active for about 4 seconds, after which it turns off, to view the active functions select any key and the display is reactivated.

HOOD LED INDICATION

In the hood body there is a LED that indicates the operating status of the motor running at speed according to these criteria:

Engine OFF: LED off;

1st speed motor Blue LED color;

2nd speed motor Green LED color;

3rd speed motor Yellow LED color;

4th speed motor Red LED color;

5th Speed Motor (Intensive) Magenta LED color (Flashes intermittently for 1 second for 6 minutes and then returns to 4th speed).

6th Speed Motor (Intensive) Pink LED color (Flashes intermittently for 1 second for 6 minutes and then returns to 4th speed).

By activating the timer, the corresponding color LED, depending on the set speed, flashes intermittently for 1 second, at the end of 15 minutes, in non-intensive speeds, the engine turns off and not the lighting. As for the intensive speeds, when the timer is activated, it remains at the set speed for the first 6 minutes and then ends the remaining 9 minutes at the 4th speed.

In the Clean Air function, the light blue LED remains steady, the motor switches to 6th speed and after 6 minutes the motor and not the lighting switches off.

In the Fresh Air function, the Blue LED flashes intermittently for 5 seconds, with the hood off, the engine starts at 1st speed for 10 minutes and then remains off for 50 minutes and so on until the function is switched off.

Metal grease filter cleaning signal

After 30 hours of operation, the Green LED will start flashing for 20 seconds indicating to clean the filters. To reset the filters, with the hood off, press the "P0" key for 3 seconds while the LED is flashing.

Long-life or ceramic filter cleaning signal

After 120 hours of operation, the Red LED will start flashing for 20 seconds indicating to clean the filters. To reset the filters, with the hood off, press the "P0" key for 3 seconds while the LED is flashing.

Each time a button on the remote control is pressed, the hood will emit an acoustic signal to confirm the reception of the signal.

MAINTENANCE

WARNING! Before any cleaning or maintenance operation, remove the hood power supply by removing the cable or disconnecting the main switch in the home. Cleaning and ordinary maintenance must not be done by children without supervision.

Cleaning

The product should frequently be cleaned both internally and externally using a cloth dampened with lukewarm water and neutral non-abrasive liquid detergent.

The metallic grease filters

It has the task of retaining the fat particles from the cooking fumes and preserving the motor of the aspirator, so it is subject to clogging in variable times in relation to the use of the appliance. The filters can be washed in the dishwasher with short wash cycles and at low temperatures, at the latest every 2 months to avoid the risk of fire. After some washes the filter could change color, due to dishwasher salts and detergents. The color change does not affect the functionality of the grease filter.

Ceramic filters

They have the task of retaining odors and purifying the air that is returned to the environment. The ceramic filters can be cleaned in the oven at a temperature of 180/200 ° C for about 45/60 minutes. It is recommendable to replace the ceramic filters every 5 years to assure the best odor elimination.

Lighting

The hood is equipped with lighting based on high efficiency LED technology, low power consumption and very high durability under normal conditions of use.

For replacement, contact the service department.

THE COMPANY MANUFACTURER can't be held responsible for any damage caused by an improper installation or use of this appliance.

TROUBLESHOOTING		
<i>PROBLEM</i>	<i>POSSIBLE CAUSES</i>	<i>SOLUTIONS</i>
The lights of the cooker hood do not turn on	Lamp connector is disconnected	Hook up the lamp connector as shown on page 5, Fig. 5 of the manual.
	On/off switch is in position 0	Set the on/off switch to position 1 as shown on page 4, Picture 4 of the instruction manual.
	No electricity	Check the Lighting Driver.
	Remote control is not synchronised	Synchronise the remote control as described in the instruction manual from page 20.

The motor does not work	Disconnected connector	Hook up the motor connector as shown on page 6, Picture 7 of the instruction manual.
	No electricity	Check the motor driver.
	Electricity arrives but the motor does not work	Replace the motor.
The Remote Control is not working	Low remote control battery	Replace battery as shown on page 12, Picture 20 of the instruction manual. Make sure that the battery is inserted with the correct polarity.
	Remote control is not synchronised with the hood	Synchronise the remote control as described in the instruction manual from page 20.
	On/off switch is in position 0	Set the on/off switch to position 1 as shown on page 4, Picture 4 of the instruction manual.
Hood is not working	No electricity	Check the power cable.
	Remote control is not synchronised with the hood	Synchronise the remote control as described in the user manual from page 20.
	Electrical system problems	Check the power supply on the electronic board.
	On/off switch is in position 0	Set the on/off switch to position 1 as shown on page 4, Picture 4 of the instruction manual.
Hood aspirates little air	Soiled aluminium filters	Remove the filters as shown on page 11, Picture 17 of the operating manual and wash the filters.
Green LED flashes for 20 seconds	Metal grease filter cleaning indicator	Reset the filters when the hood is turned off pressing the "P0" button on the remote control for 3 seconds while the LED flashes as shown on page 22 of the instruction manual.
Red LED flashes for 20 seconds	Long-life or ceramic filter cleaning indicator	Reset the filters when the the hood is turned off pressing the button "P0" on the remote control for 3 seconds while the LED flashes as shown on page 22 of the user manual.

ALERTE DE SÉCURITÉ

- Cet appareil a été conçu pour un usage domestique dans un environnement domestique. N'utilisez jamais l'appareil à des fins professionnelles ou industrielles.
- Cet appareil ne peut être utilisé par des enfants de plus de 8 ans et par des personnes ayant des facultés physiques, sensorielles et mentales réduites ou sans l'expérience et les compétences nécessaires que s'ils sont correctement surveillés et s'ils ont reçu les instructions nécessaires concernant l'utilisation en toute sécurité de l'appareil et informé des risques potentiels associés et des avertissements.
- Les enfants ne doivent pas être autorisés à jouer avec l'appareil.
- Les consignes de sécurité et d'avertissement spécifiées dans le manuel d'utilisation doivent être strictement suivies.
- Attention: Ne pas utiliser les vis et dispositifs de fixation selon instructions spécifiées dans ce manuel, peut entraîner un risque électrique.
- L'appareil ne doit pas être utilisé par des personnes (y compris les enfants) ayant des facultés physiques, sensorielles et mentales réduites ou sans l'expérience et les compétences nécessaires, sauf si elles ont été correctement surveillées et instruites.

- Il est très important de nettoyer soigneusement l'appareil après chaque utilisation, car le fait de ne pas effectuer de nettoyage régulier peut entraîner un risque d'incendie.
- Assurez-vous que tous les composants de l'appareil ne sont pas endommagés. Dans ce cas, n'effectuez pas l'installation et contactez un centre d'assistance technique qualifié.
- Les installateurs qualifiés doivent effectuer tous les travaux de menuiserie et d'installation nécessaires en pleine conformité avec les directives en vigueur.
- Ne raccordez pas l'appareil au réseau électrique lors de l'installation.
- Débranchez l'appareil de l'alimentation électrique avant d'effectuer toute opération de nettoyage ou d'entretien.
- Nécessité de permettre la déconnexion de l'appareil de l'alimentation secteur après l'installation, via une prise accessible ou un interrupteur principal.
- Le nettoyeur à vapeur ne doit pas être utilisé.
- N'utilisez pas d'abrasifs durs ou de grattoirs métalliques pointus pour nettoyer le verre car ils peuvent rayer la surface, ce qui peut provoquer la rupture du verre.
- **ATTENTION:** Assurez-vous que l'appareil est déconnecté (OFF) avant de remplacer la lampe pour éviter la possibilité d'un choc électrique.
- Ne retirez pas le plastique de protection de la hotte tant qu'elle n'est pas complètement installée, si ce plastique n'est

pas présent dans des zones qui pourraient présenter un risque de dommages lors de l'installation. Cela évitera d'endommager l'extérieur de l'appareil, ce qui ne sera pas couvert par la garantie.

AVERTISSEMENTS POUR LE RACCORDEMENT

ÉLECTRIQUE

- Les connexions électriques doivent être approuvées par un électricien qualifié avant d'utiliser l'appareil.
- Le raccordement électrique doit être effectué par un seul électricien qualifié, qui sera responsable du raccordement électrique correct de l'appareil à l'alimentation électrique.
- Avant de brancher l'appareil au réseau électrique, vérifiez si les valeurs de tension, de fréquence et de puissance indiquées sur la plaque signalétique de l'appareil sont compatibles avec l'alimentation et la prise du domicile.
- Le cordon d'alimentation doit être connecté à un disjoncteur magnétothermique omnipolaire avec un écart entre les contacts de l'interrupteur d'au moins 3 mm.
- Si le cordon d'alimentation est endommagé, il doit être remplacé soit par le fabricant, soit par le service d'assistance technique, soit par du personnel spécialisé.
- Le cordon d'alimentation ne doit pas entrer en contact avec des surfaces dont température dépasse 50°C une fois l'appareil installé.

AVERTISSEMENTS POUR LE FONCTIONNEMENT

- La ventilation doit être prévue de manière pratique dans la pièce si une hotte de cuisine et des appareils alimentés au gaz ou à un autre combustible sont utilisés simultanément.
- Si la hotte est utilisée simultanément avec des appareils brûlant du gaz ou d'autres combustibles, la pièce doit avoir une ventilation suffisante (cet avertissement ne s'applique pas aux hottes installées dans la version filtrante).
- Se conformer à toute norme locale en vigueur sur les opérations d'extraction d'air.
- Si l'appareil est utilisé en mode recirculation, assurez-vous que la poussière d'évacuation est en bon état au cas où elle n'aurait pas été utilisée pendant longtemps.
- Il est interdit de cuire des aliments sur des flammes nues (flambe) sous la hotte.
- Ne laissez jamais de casseroles sans surveillance lorsque la table de cuisson est allumée: l'huile contenue dans la casserole pourrait surchauffer et brûler. Le risque d'incendie est bien plus élevé lorsque le pétrole est utilisé.
- Un bon entretien et un nettoyage précis des filtres à graisse sont extrêmement importants.
- Nettoyez régulièrement la hotte et les autres surfaces afin d'éviter tout risque d'incendie.
- ATTENTION: lorsque la table de cuisson est allumée, les parties accessibles de la hotte peuvent devenir chaudes.

- Le raccordement du dispositif d'évacuation aux conduits d'évacuation ou aux canaux et tuyaux pour la ventilation de la pièce n'est pas autorisé.
- L'air extrait ne doit pas être envoyé dans un conduit de circulation d'air chaud.
- L'air ne doit pas être rejeté dans un conduit de cheminée utilisé pour les fumées d'appareils électroménagers alimentés au gaz ou à d'autres combustibles (ceci n'est pas applicable en cas de hottes fonctionnant en mode de recirculation).
- Ventiler adéquatement la pièce lorsqu'une hotte aspirante et d'autres.
- La dépression maximale dans la pièce ne doit pas dépasser 4 Pa (4×10^{-5} bar).
- Le local où est installée la hotte doit être pourvu d'une entrée d'air dont la capacité doit être supérieure à celle du dispositif d'évacuation de la hotte. Il est strictement interdit de placer les membres ou toute autre partie du corps humain, ainsi que des objets de cuisine ou autres, à proximité de l'unité extractible de la hotte (si votre appareil en est équipé).
- Les hottes de cuisine et autres extracteurs de fumées de cuisson peuvent nuire au fonctionnement sécuritaire des appareils brûlant du gaz ou d'autres combustibles (y compris ceux des autres pièces) en raison du reflux des gaz de combustion. Ces gaz peuvent potentiellement entraîner une intoxication au monoxyde de carbone. Après l'installation d'une

hotte ou d'un autre extracteur de fumées de cuisson, le fonctionnement des appareils à gaz à conduit ouvert doit être testé par une personne compétente pour s'assurer qu'il n'y a pas de reflux des gaz de combustion.

Pour une utilisation en toute sécurité du produit et pour en connaître toutes les caractéristiques et performances:

- **Lisez attentivement ce mode d'emploi avant l'installation et la mise en service.**
- **Attention surtout aux avertissements de sécurité!**
- **L'appareil ne peut être utilisé que comme décrit dans ce mode d'emploi.**
- **Conservez le mode d'emploi.**
- **Si vous donnez l'appareil à un tiers, donnez également le mode d'emploi.**

Cher client,

Merci de nous avoir choisi!

Félicitations pour l'achat de votre nouvelle hotte de cuisine.

Afin d'utiliser l'appareil en toute sécurité et de mieux connaître l'ensemble de ses caractéristiques et performances :

- Lisez attentivement ce mode d'emploi avant d'installer et d'allumer l'appareil.
- Une attention particulière doit être portée aux avertissements de sécurité !
- L'appareil ne doit être utilisé que conformément aux instructions données dans ce manuel d'utilisation.
- Conservez ce mode d'emploi pour référence ultérieure.
- Si l'appareil est donné à un tiers, le manuel d'instructions doit également être fourni.

INFORMATIONS GÉNÉRALES

Lors de l'échange d'informations avec le FABRICANT de l'appareil, veuillez vous référer au numéro de série et aux données d'identification spécifiés sur la plaque signalétique.

Cet appareil a été conçu, testé et fabriqué en totale conformité avec toutes les normes pertinentes concernant :

- Sécurité : CEI/EN 60335-1 ; CEI/EN 60335-2-31 ;

• Performances : CEI/EN 61591 ; CEI/EN 60704-1 ; CEI/EN 60704-2-13 ; EN 50564; CEI 62301.

CEM : EN 55014-1 ; EN 55014-2 ; CEI/EN 61000-3-2 ; CEI/EN 61000-3-3.

Recommandations pour une bonne utilisation de l'appareil visant à réduire l'impact sur l'environnement : lorsque vous commencez à cuisiner, allumez la hotte à vitesse minimale et éteignez-la quelques minutes seulement après la fin de la cuisson. N'augmentez la vitesse de la hotte qu'en cas de grandes quantités de vapeurs et de fumées et n'utilisez la fonction booster qu'en cas d'absolue nécessité. Nettoyez le filtre à graisse uniquement lorsque cela est nécessaire, afin de conserver son efficacité dans le temps. Utilisez un système de tuyauterie ayant le diamètre maximum spécifié dans ce manuel, afin d'augmenter l'efficacité et de réduire les niveaux de bruit.



Le symbole présent sur l'appareil ou sur sa documentation indique que ce produit ne doit pas être traité comme un déchet ménager, mais qu'il doit être remis à un point de collecte spécifique pour le recyclage des équipements électriques et électroniques. L'élimination appropriée de cet appareil contribuera à réduire la consommation de matières premières et la pollution de l'environnement. Pour plus d'informations sur le recyclage de cet appareil, veuillez contacter votre mairie, votre service d'élimination des déchets ménagers ou le magasin où vous avez acheté l'appareil.



Pièces de rechange

Utilisez uniquement des pièces de rechange d'origine.

Remplacez les composants avant qu'ils ne soient usés. Effectuez des vérifications d'entretien régulières, comme détaillé dans la section « ENTRETIEN ».

Garantie

Afin de bénéficier de la garantie du FABRICANT, les utilisateurs doivent suivre strictement toutes les instructions spécifiées dans ce manuel, en particulier ils doivent :

- utiliser la hotte uniquement aux fins pour lesquelles elle a été conçue ;
- effectuer des opérations de maintenance continues et scrupuleuses ;
- n'autoriser l'utilisation de la hotte qu'à des personnes ayant des compétences et un savoir-faire avérés.

Le non-respect des instructions contenues dans ce manuel annulera immédiatement la garantie du fabricant.

INSTRUCTIONS D'INSTALLATION

- Les opérations d'installation et de raccordement électrique doivent être effectuées conformément à ces instructions et par du personnel qualifié et spécialisé.
- Porter des gants de protection avant et pendant l'installation.

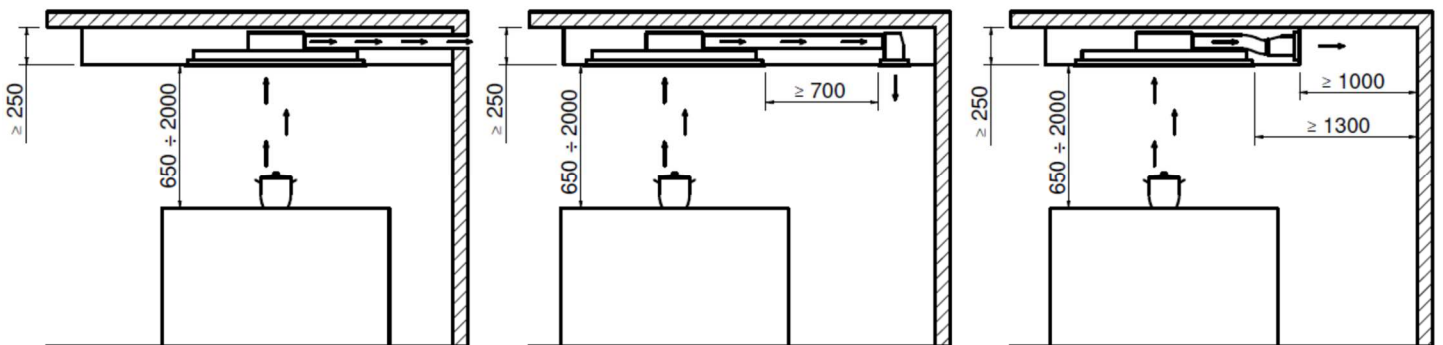
- Vérifiez qu'aucun accessoire fourni avec l'appareil (manuels, accessoires, etc.) n'est placé à l'intérieur de la hotte : dans ce cas, retirez-le et conservez-le.
- Les chiffres indiqués dans ce manuel d'installation peuvent également se référer à différentes esthétiques de l'appareil : dans tous les cas, les instructions d'utilisation, d'installation et d'entretien restent les mêmes.

Distance minimale de sécurité d'installation

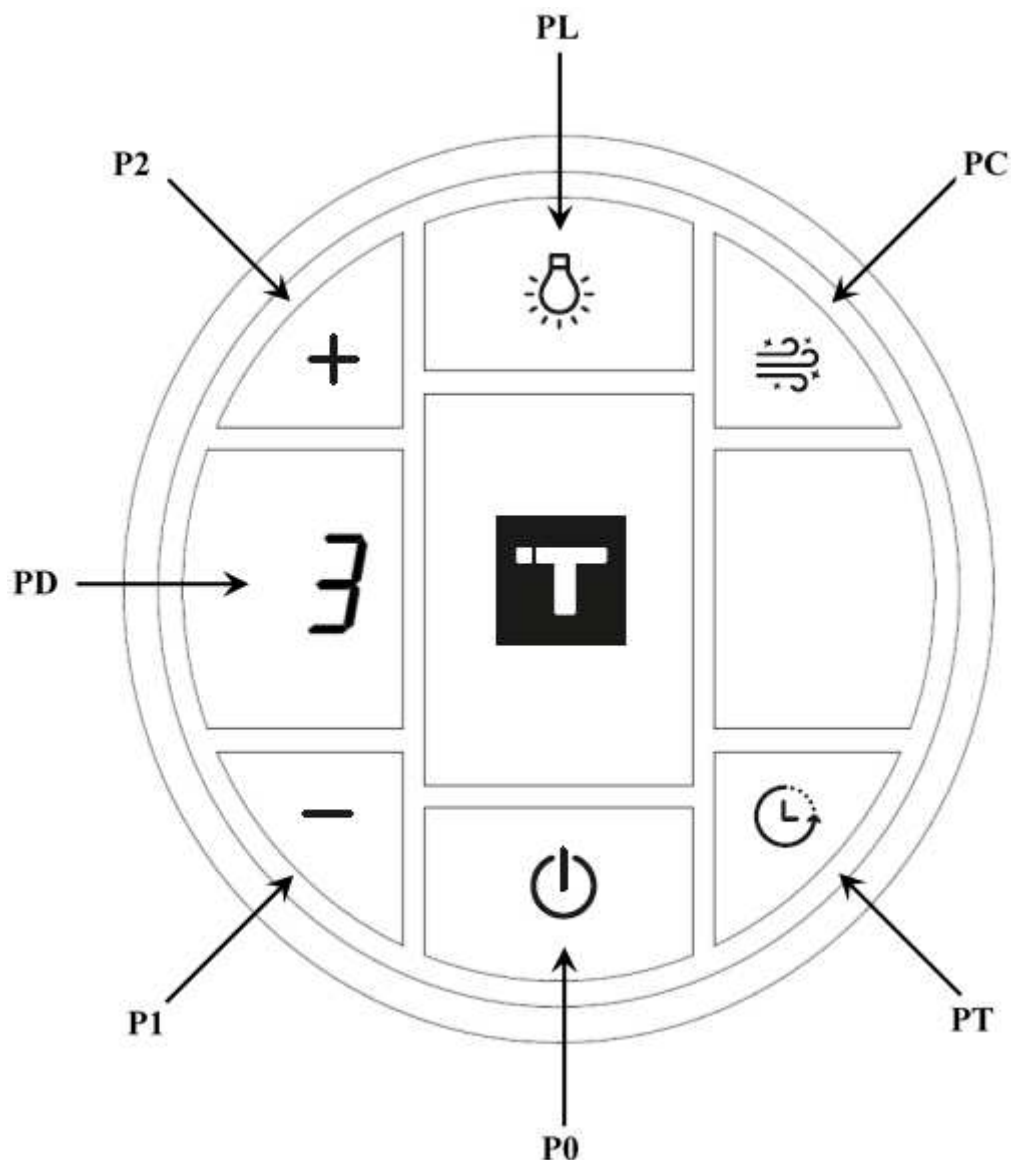
La distance entre une plaque de cuisson électrique et la partie inférieure de la hotte doit être d'au moins 550 mm, tandis qu'entre une plaque de cuisson à gaz et la partie inférieure de la hotte doit être d'au moins 650mm.

La distance d'installation recommandée entre la hotte de plafond et la table de cuisson est comprise entre 1300 et 1500 mm, tandis que la distance maximale est de 2000mm.

Cette hotte est conçue pour être installée au plafond à la fois dans la version **ASPIRATION** avec évacuation des fumées vers l'extérieur et dans la version **FILTRATION** en achetant le kit approprié (113290025).



INSTRUCTIONS DE CONTRÔLE



La télécommande arrivera déjà programmée avec la hotte, si pour une raison quelconque la télécommande perd la communication avec la hotte, effectuez la procédure suivante :

- Débranchez la hotte de l'alimentation électrique;
- Attendez quelques secondes et rétablissez l'alimentation et dans les 10 secondes, appuyez simultanément sur les boutons «P1» et «PT» pendant environ 3 secondes.

La télécommande sera à nouveau opérationnelle.

LES FONCTIONS

P0: Touche MARCHE/ARRÊT DU MOTEUR.

S'il est sélectionné avec le moteur éteint, l'écran affiche un zéro «0» pendant environ 1 seconde.

P1: Touche pour diminuer la vitesse du moteur, si la hotte est en 1ère vitesse, elle éteint le moteur.

P2: Touche pour augmenter la vitesse du moteur, si la hotte est éteinte elle allume la 1ère vitesse, un deuxième appui active la 2ème vitesse, un troisième appui active la 3ème vitesse, un quatrième appui active la 4ème vitesse, un appui sur a cinquième fois active la 5ème vitesse (1ère vitesse intensive) (**), un sixième appui active la 6ème vitesse (2ème vitesse intensive) (**).

Les numéros des vitesses sélectionnées apparaissent sur l'afficheur («1», «2», «3», «4», «5», «6»).

(**) Vitesses intensives : la durée des vitesses intensives est de 6 minutes après quoi l'électronique revient automatiquement en 4ème vitesse.

PL: Touche ALLUMER / ÉTEINDRE LUMIÈRES

Intensité lumineuse: En appuyant longuement sur le bouton "PL" avec les lumières allumées, l'intensité de la lumière commencera à diminuer jusqu'à atteindre la valeur minimale ; le relâchement du bouton interrompt la descente de l'intensité lumineuse. Une fois la valeur minimale atteinte et en appuyant à nouveau longuement sur la touche "PL", l'intensité lumineuse commencera à augmenter jusqu'à atteindre la valeur maximale ; s'il est relâché, il s'arrête à la luminosité atteinte.

Couleur de la lumière: avec la hotte éteinte et les lumières éteintes, maintenez enfoncé le bouton "PL" jusqu'à ce que la LED de la hotte s'allume pour entrer dans le menu d'éclairage dynamique. Avec des pressions simples sur la touche "PL", vous aurez la variation de la tonalité de couleur de la lumière de 2700 ° K à 4000 ° K en 10 étapes. Une fois la tonalité souhaitée atteinte, vous devrez attendre 10 secondes, la LED de la hotte s'arrêtera de clignoter et la fonction sera mémorisée.

PC: Touche MARCHE/ARRÊT AIR FRAIS

Activation/désactivation de l'air frais: En appuyant une fois sur le bouton « PC », vous entrerez dans le menu de la fonction Air frais/Air pur. Ensuite, en appuyant à nouveau longuement sur le bouton "PC" avec la hotte éteinte, la fonction Fresh Air sera activée (elle affichera un "C" sur l'écran). Cette fonction permet de démarrer le moteur en **1ère vitesse pendant 10 minutes suivi de 50 minutes de veille**. Cette option reste active pendant une période de 24 heures. Pour désactiver la fonction Fresh Air, appuyez à nouveau sur la touche "PC" ou "P0". Pendant que la fonction est active, aussi bien avec le moteur en marche qu'en veille, la LED du capot clignotera toutes les 5 secondes.

Activation/désactivation de l'air pur: En appuyant une fois sur le bouton « PC », vous entrerez dans le menu de la fonction Fresh Air/Clean Air. Ensuite, en appuyant une fois sur « PC », la fonction Clean Air sera activée (un « C » apparaît sur l'afficheur). Lorsque cette fonction est activée, le moteur est réglé à la **vitesse maximale pendant environ 6 minutes**, à la fin des 6 minutes le moteur s'éteindra automatiquement. Pour désactiver cette fonction, appuyez sur la touche « PC » ou sur la touche « P0 ». Remarque: cette fonction ne peut être activée que lorsque la hotte est allumée et est prioritaire sur toutes les autres fonctions actives du moteur.

PT: Bouton TIMER (un "T" apparaît sur l'affichage)

La minuterie effectue un compte à rebours de 15 minutes et ne peut être activée que lorsque le moteur tourne.

La durée de 15 minutes ne change pas même si les vitesses sont modifiées pendant le compte à rebours.

A la fin des 15 minutes le moteur s'arrête.

PD: Affichage

Activation / désactivation du buzzer: par défaut la hotte est alimentée avec le buzzer actif, si vous souhaitez désactiver, avec la hotte éteinte, allumez les feux en appuyant sur la touche "PL", puis appuyez et maintenez les touches "PT" et "P1 " jusqu'à l'allumage de la led de la hotte sans signal sonore. Si vous souhaitez réactiver, répétez l'opération décrite ci-dessus, la LED s'allumera et le signal acoustique sera émis pour confirmer.

Remarque : Pour économiser la batterie, l'écran reste actif pendant environ 4 secondes, après quoi il s'éteint, pour visualiser les fonctions actives, sélectionnez n'importe quelle touche et l'écran est réactivé.

INDICATION LED CAPOT

Dans le corps de la hotte se trouve une LED qui indique l'état de fonctionnement du moteur tournant à vitesse selon ces critères :

Moteur éteint: LED éteinte ;

Moteur 1ère vitesse Couleur LED bleue;

Moteur 2ème vitesse Couleur LED verte;

Moteur 3ème vitesse Couleur LED jaune;

Moteur 4ème vitesse Couleur LED rouge;

Moteur de 5e vitesse (intensif) Couleur de la DEL magenta (clignote par intermittence pendant 1 seconde pendant 6 minutes, puis revient à la 4e vitesse).

Moteur 6ème vitesse (Intensif) Couleur LED rose (Clignote par intermittence pendant 1 seconde pendant 6 minutes puis revient à la 4ème vitesse).

En activant la minuterie, la LED de couleur correspondante, en fonction de la vitesse réglée, clignote par intermittence pendant 1 seconde, au bout de 15 minutes, en régime non intensif, le moteur s'éteint et non l'éclairage. Quant aux vitesses intensives, lorsque la minuterie est activée, elle reste à la vitesse réglée pendant les 6 premières minutes puis termine les 9 minutes restantes à la 4ème vitesse.

En fonction Clean Air, la LED bleu clair reste fixe, le moteur passe en 6ème vitesse et au bout de 6 minutes le moteur et non l'éclairage s'éteint.

Dans la fonction Fresh Air, la LED bleue clignote par intermittence pendant 5 secondes, capote éteinte, le moteur démarre en 1ère vitesse pendant 10 minutes puis reste éteint pendant 50 minutes et ainsi de suite jusqu'à l'arrêt de la fonction.

Signal de nettoyage du filtre à graisse métallique

Après 30 heures de fonctionnement, la LED verte commencera à clignoter pendant 20 secondes indiquant de nettoyer les filtres. Pour réinitialiser les filtres, avec la hotte éteinte, appuyez sur la touche « P0 » pendant 3 secondes pendant que la LED clignote.

Signal de nettoyage du filtre longue durée ou céramique

Après 120 heures de fonctionnement, la LED rouge commencera à clignoter pendant 20 secondes indiquant de nettoyer les filtres. Pour réinitialiser les filtres, avec la hotte éteinte, appuyez sur la touche « P0 » pendant 3 secondes pendant que la LED clignote.

Chaque fois qu'un bouton de la télécommande est appuyé, la hotte émet un signal acoustique pour confirmer la réception du signal.

MAINTENANCE

AVERTISSEMENT! Avant toute opération de nettoyage ou d'entretien, coupez l'alimentation de la hotte en retirant le câble ou en débranchant l'interrupteur général du logement. Le nettoyage et l'entretien ordinaire ne doivent pas être effectués par des enfants sans surveillance.

Nettoyage

Le produit doit être fréquemment nettoyé à l'intérieur et à l'extérieur à l'aide d'un chiffon imbibé d'eau tiède et d'un détergent liquide neutre non abrasif.

Les filtres à graisse métalliques

Il a pour mission de retenir les particules de graisse des fumées de cuisson et de préserver le moteur de l'aspirateur, il est donc sujet à un colmatage dans des temps variables en fonction de l'utilisation de l'appareil. Les filtres peuvent être lavés au lave-vaisselle avec des cycles de lavage courts et à basse température, au plus tard tous les 2 mois pour éviter les risques d'incendie. Après quelques lavages, le filtre peut changer de couleur à cause des sels de lave-vaisselle et des détergents. Le changement de couleur n'affecte pas la fonctionnalité du filtre à graisse.

Filtres en céramique

Ils ont pour tâche de retenir les odeurs et de purifier l'air qui est renvoyé dans l'environnement.

Les filtres en céramique peuvent être nettoyés au four à une température de 180/200°C pendant environ 45/60 minutes. Il est recommandé de remplacer les filtres en céramique tous les 5 ans pour assurer la meilleure élimination des odeurs.

Éclairage

La hotte est équipée d'un éclairage basé sur la technologie LED à haut rendement, à faible consommation d'énergie et à très haute durabilité dans des conditions normales d'utilisation.

Pour le remplacement, contactez le service après-vente.

LA SOCIÉTÉ FABRICANT ne peut être tenue responsable de tout dommage causé par une mauvaise installation ou utilisation de cet appareil.

DEPANNAGE		
<i>PROBLÈME</i>	<i>CAUSES POSSIBLES</i>	<i>SOLUTIONS</i>
Les lumières de la hotte aspirante ne s'allument pas	Le connecteur de la lampe est déconnecté	Branchez le connecteur de la lampe comme indiqué à la page 5, Fig. 5 du manuel d'instructions

	L'interrupteur On/Off est en position 0	Réglez l'interrupteur On/Off sur la position 1 comme indiqué à la page 4, image 4 du manuel d'instructions
	Pas d'électricité	Vérifier la carte électronique
	La télécommande n'est pas synchronisée	Synchroniser la télécommande comme dans le manuel d'instructions à partir de la page 20
Le moteur ne fonctionne pas	Connecteur déconnecté	Branchez le connecteur du moteur comme indiqué à la page 6, image 7 du manuel d'instructions
	Pas d'électricité	Vérifier la carte électronique
	Il y a de l'électricité mais le moteur ne fonctionne pas	Remplacer le moteur
La télécommande ne fonctionne pas	Batterie de la télécommande faible	Remplacer la batterie comme indiqué à la page 12, Image 20 du manuel d'instructions. Assurez-vous que la batterie est insérée avec la bonne polarité!
	La télécommande n'est pas synchronisée	Synchroniser la télécommande comme dans le manuel d'instructions à partir de la page 20
	L'interrupteur On/Off est en position 0	Réglez l'interrupteur On/Off sur la position 1 comme indiqué à la page 4, image 4 du manuel d'instructions
La hotte ne fonctionne pas	Pas d'électricité	Vérifiez le câble d'alimentation
	La télécommande n'est pas synchronisée	Synchroniser la télécommande comme dans le manuel d'instructions à partir de la page 20
	Problèmes au système électrique	Vérifier l'alimentation de la carte électronique
	L'interrupteur On/Off est en position 0	Réglez l'interrupteur On/Off sur la position 1 comme indiqué à la page 4, image 4 du manuel d'instructions
La hotte aspire peu d'air	Filtres en aluminium souillés	Retirer les filtres comme indiqué à la page 11, image 17 du manuel d'utilisation et lavez les filtres.
La LED verte clignote pendant 20 secondes	Indicateur de nettoyage du filtre à graisse métallique	Réinitialisez les filtres lorsque la hotte est éteinte en appuyant sur le bouton "P0" de la télécommande pendant 3 secondes pendant que la LED clignote comme indiqué à la page 22 du manuel d'instructions.
La LED rouge clignote pendant 20 secondes	Indicateur du besoin nettoyage de filtre longue durée ou en céramique	Réinitialisez les filtres lorsque la hotte est éteinte en appuyant sur le bouton "P0" de la télécommande pendant 3 secondes pendant que la LED clignote comme indiqué à la page 22 du manuel d'instructions.

SICHERHEITSWARNUNG

- Dieses Gerät ist für den häuslichen Gebrauch in häuslicher Umgebung bestimmt. Verwenden Sie das Gerät niemals für den professionellen oder industriellen Gebrauch.
- Dieses Gerät darf von Kindern über 8 Jahren und von Personen mit eingeschränkten körperlichen, sensorischen und geistigen Fähigkeiten oder ohne die erforderliche Erfahrung und Kompetenz nur bedient werden, wenn sie ordnungsgemäß beaufsichtigt und mit den erforderlichen Anweisungen zur sicheren Verwendung versehen wurden des Geräts und informiert über die damit verbundenen Risiken und Warnungen.
- Kinder dürfen nicht mit dem Gerät spielen.
- Die in der Bedienungsanleitung angegebenen Sicherheits- und Warnhinweise müssen strikt befolgt werden.
- Achtung: Nichtverwendung von Schrauben und Befestigungsmitteln gem Anweisungen, die in diesem Handbuch angegeben sind, können zu elektrischen Risiken führen.
- Das Gerät darf nicht von Personen (einschließlich Kindern) mit eingeschränkten körperlichen, sensorischen und geistigen Fähigkeiten oder ohne die erforderliche Erfahrung und Kompetenz benutzt werden, es sei denn, sie wurden ordnungsgemäß beaufsichtigt und eingewiesen.

- Eine sorgfältige Reinigung des Geräts nach jedem Gebrauch ist sehr wichtig, da keine regelmäßige Reinigung durchgeführt wird kann zu Brandgefahr führen.
- Stellen Sie sicher, dass alle Gerätekomponenten nicht beschädigt sind. Führen Sie in einem solchen Fall keine Installation durch und wenden Sie sich an ein qualifiziertes technisches Kundendienstzentrum.
- Qualifizierte Installateure führen alle erforderlichen Zimmerer- und Installationsarbeiten in voller Übereinstimmung mit den geltenden Richtlinien durch.
- Schließen Sie das Gerät während der Installation nicht an das Stromnetz an.
- Trennen Sie das Gerät von der Stromversorgung, bevor Sie Reinigungs- oder Wartungsarbeiten durchführen.
- Das Gerät muss nach der Installation über einen zugänglichen Stecker oder Hauptschalter vom Stromnetz getrennt werden können.
- Dampfreiniger sollten nicht verwendet werden.
- Verwenden Sie zum Reinigen von Glas keine scharfen Scheuermittel oder scharfen Metallschaber, da diese die Oberfläche zerkratzen können, wodurch das Glas brechen kann.
- **ACHTUNG:** Stellen Sie sicher, dass das Gerät ausgeschaltet ist (OFF), bevor Sie die Lampe austauschen, um die Möglichkeit eines Stromschlags zu vermeiden.

- Entfernen Sie den Schutzkunststoff nicht von der Haube, bis sie vollständig installiert ist, wenn dieser Kunststoff nicht in Bereichen vorhanden ist, die während der Installation beschädigt werden könnten. Dadurch werden Schäden an der Außenseite des Geräts vermieden, die nicht durch die Garantie abgedeckt sind.

WARNINGS FOR ELECTRICAL CONNECTION

- Electrical connections shall be approved by a qualified electrician before using the appliance.
- Electrical connection shall be performed by just one qualified electrician, who will be responsible for proper electrical connection of the appliance to power supply.
- Before connecting the appliance to the electrical network, check if voltage, frequency and power values specified in the rating label of the appliance are compatible with home power supply and socket.
- The power cord shall be connected to an omnipolar magneto-thermal breaker with a switch-contact gap of at least 3 mm.
- In case the power cord is damaged, it shall be replaced either by the manufacturer or the technical assistance service or by specialized personnel.
- The power cord shall not enter into contact with surfaces whose temperature exceeds 50° C once the appliance has been installed.

WARNINGS FOR OPERATION

- Ventilation must be provided conveniently in the room if a range hood and appliances powered by gas or other fuel used simultaneously.
- If the hood is used simultaneously with appliances that burn gas or other fuels, the room must have sufficient ventilation (this warning is not applicable for hoods installed in the filtering version).
- Befolgen Sie alle geltenden örtlichen Normen für den Betrieb der Luftabsaugung.
- Wenn das Gerät im Umluftmodus verwendet wird, vergewissern Sie sich, dass der Abluftstaub in gutem Zustand ist, falls es längere Zeit nicht verwendet wurde.
- Das Garen von Speisen über offenem Feuer (Flambe) unter der Haube ist nicht gestattet.
- Lassen Sie Töpfe niemals unbeaufsichtigt, wenn das Kochfeld eingeschaltet ist: Im Topf enthaltenes Öl kann überhitzen und verbrennen. Bei Verwendung von Öl ist die Brandgefahr deutlich höher.
- Fettfilter Die ordnungsgemäße Wartung und sorgfältige Reinigung sind äußerst wichtig.
- Reinigen Sie die Haube und die anderen Oberflächen regelmäßig, um Brandgefahr zu vermeiden.
- ACHTUNG: Bei eingeschaltetem Kochfeld können zugängliche Teile der Dunstabzugshaube heiß werden.

- Der Anschluss des Abluftgerätes an Abluftkanäle oder Kanäle und Rohre zur Raumbelüftung ist nicht zulässig.
- Abluft darf nicht in einen Warmluftumwälzkanal geleitet werden.
- Luft darf nicht in einen Schornstein geleitet werden, der für Abgase von Haushaltsgeräten verwendet wird, die mit Gas oder anderen Brennstoffen betrieben werden (dies gilt nicht für Dunstabzugshauben, die im Umluftmodus arbeiten).
- Lüften Sie den Raum ausreichend, wenn eine Dunstabzugshaube und andere vorhanden sind
- Der maximale Unterdruck im Raum darf 4 Pa (4×10^{-5} bar) nicht überschreiten.
- Der Raum, in dem die Dunstabzugshaube installiert wird, muss mit einem Lufteinlass ausgestattet sein, dessen Kapazität größer sein muss als die der Dunstabzugsvorrichtung. Es ist strengstens verboten, die Gliedmaßen oder andere Teile des zu platzieren menschliche Körper sowie Kochgegenstände oder andere Gegenstände in der Nähe der ausziehbaren Einheit der Haube (falls Ihr Gerät damit ausgestattet ist).
- Dunstabzugshauben und andere Dunstabzugshauben können den sicheren Betrieb von Geräten, die Gas oder andere Brennstoffe verbrennen (auch in anderen Räumen), aufgrund des Rückströmens von Verbrennungsgasen beeinträchtigen. Diese Gase können möglicherweise zu einer Kohlenmonoxidvergiftung führen. Nach der Installation einer

Dunstabzugshaube oder eines anderen Kochdunstabzugs sollte der Betrieb von offenen Gasgeräten von einer kompetenten Person getestet werden, um sicherzustellen, dass kein Rückströmen von Verbrennungsgasen auftritt.

Für eine sichere Verwendung des Produkts und um alle Funktionen und Leistungen zu kennen:

- **Lesen Sie diese Gebrauchsanweisung vor der Installation und Inbetriebnahme sorgfältig durch.**
- **Sicherheitshinweise besonders beachten!**
- **Das Gerät darf nur wie in dieser Bedienungsanleitung beschrieben verwendet werden.**
- **Bewahren Sie die Bedienungsanleitung auf.**
- **Wenn Sie das Gerät an Dritte weitergeben, geben Sie auch die Bedienungsanleitung mit.**

Lieber Kunde,

Danke, daß Sie uns gewählt haben!

Herzlichen Glückwunsch zum Kauf Ihrer neuen Dunstabzugshaube.

Um das Gerät sicher zu verwenden und alle seine Funktionen und Leistungen besser kennenzulernen:

- Lesen Sie diese Bedienungsanleitung sorgfältig durch, bevor Sie das Gerät installieren und einschalten.
- Sicherheitshinweise sind besonders zu beachten!
- Das Gerät darf nur gemäß den Anweisungen in dieser Bedienungsanleitung verwendet werden.
- Bewahren Sie diese Bedienungsanleitung zum späteren Nachschlagen auf.
- Bei Weitergabe des Gerätes an Dritte ist auch die Bedienungsanleitung mitzugeben.

ALLGEMEINE INFORMATIONEN

Beim Informationsaustausch mit dem Gerätehersteller beziehen Sie sich bitte auf die Seriennummer und Identifikationsdaten, die auf dem Typenschild angegeben sind. Dieses Gerät wurde in voller Übereinstimmung mit allen relevanten Normen zu folgenden Themen entwickelt, getestet und hergestellt:

- Sicherheit: CEI/EN 60335-1; CEI/EN 60335-2-31;
- Leistung: CEI/EN 61591; CEI/EN 60704-1; CEI/EN 60704-2-13; EN50564; CEI 62301. EMV: EN 55014-1; EN 55014-2; CEI/EN 61000-3-2; CEI/EN 61000-3-3.

Empfehlungen für den sachgerechten Gebrauch des Gerätes zur Reduzierung der Umweltbelastung: Schalten Sie die Haube zu Beginn des Kochvorgangs mit minimaler Geschwindigkeit ein und schalten Sie sie erst wenige Minuten nach Beendigung des Kochvorgangs aus. Erhöhen Sie die Haubengeschwindigkeit nur bei großen Mengen an Dämpfen und Rauch und verwenden Sie die Booster-Funktion nur, wenn es unbedingt erforderlich ist. Reinigen Sie den Fettfilter nur bei Bedarf, um seine Leistungsfähigkeit langfristig zu erhalten. Verwenden Sie ein Rohrsystem mit dem in diesem Handbuch angegebenen maximalen Durchmesser, um die Effizienz zu steigern und den Geräuschpegel zu reduzieren.



Das Symbol auf dem Gerät oder seiner Dokumentation weist darauf hin, dass dieses Produkt nicht als Haushaltsabfall zu behandeln ist, sondern an einer speziellen Sammelstelle für das Recycling von elektrischen und elektronischen Geräten abgegeben werden muss. Die ordnungsgemäße Entsorgung dieses Geräts trägt dazu bei, den Rohstoffverbrauch und die Umweltverschmutzung zu reduzieren. Ausführlichere Informationen zum Recycling dieses Geräts erhalten Sie bei Ihrer örtlichen Stadtverwaltung, Ihrem Entsorgungsdienst für Haushaltsabfälle oder dem Geschäft, in dem Sie das Gerät gekauft haben.

Ersatzteile

Verwenden Sie nur Original-Ersatzteile.

Ersetzen Sie Komponenten, bevor sie verschlissen sind. Führen Sie regelmäßige Wartungsprüfungen durch, wie im Abschnitt „WARTUNG“ beschrieben.

Garantie

Um in den Genuss der HERSTELLERGARANTIE zu kommen, müssen Benutzer alle Anweisungen in diesem Handbuch strikt befolgen, insbesondere:

- Verwenden Sie die Haube nur für den vorgesehenen Zweck;
- kontinuierliche und gewissenhafte Wartungsarbeiten durchführen;
- die Benutzung der Haube nur Personen mit nachgewiesenen Fähigkeiten und Kenntnissen gestatten.

Die Nichtbeachtung der in diesem Handbuch enthaltenen Anweisungen führt zum sofortigen Erlöschen der Herstellergarantie.

INSTALLATIONSANLEITUNG

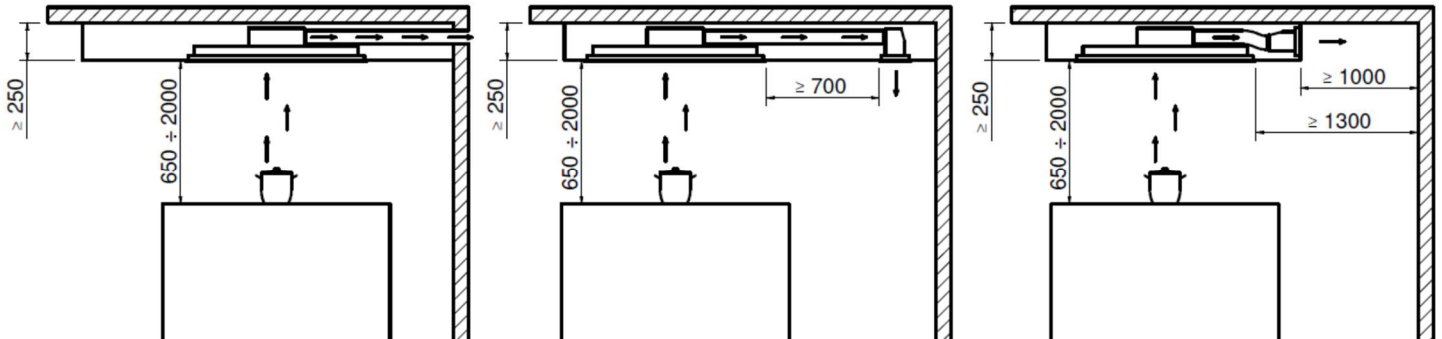
- Installations- und elektrische Anschlussarbeiten müssen gemäß dieser Anleitung und von qualifiziertem und spezialisiertem Personal durchgeführt werden.
- Tragen Sie vor und während der Installation Schutzhandschuhe.
- Vergewissern Sie sich, dass sich kein mit dem Gerät geliefertes Zubehörmaterial (Handbücher, Zubehör usw.) in der Haube befindet: Entfernen Sie es in einem solchen Fall und bewahren Sie es auf.
- Die in dieser Installationsanleitung gezeigten Abbildungen können sich auch auf eine andere Ästhetik des Geräts beziehen: In jedem Fall bleiben die Gebrauchs-, Installations- und Wartungsanweisungen gleich.

Mindestsicherheitsabstand bei der Installation

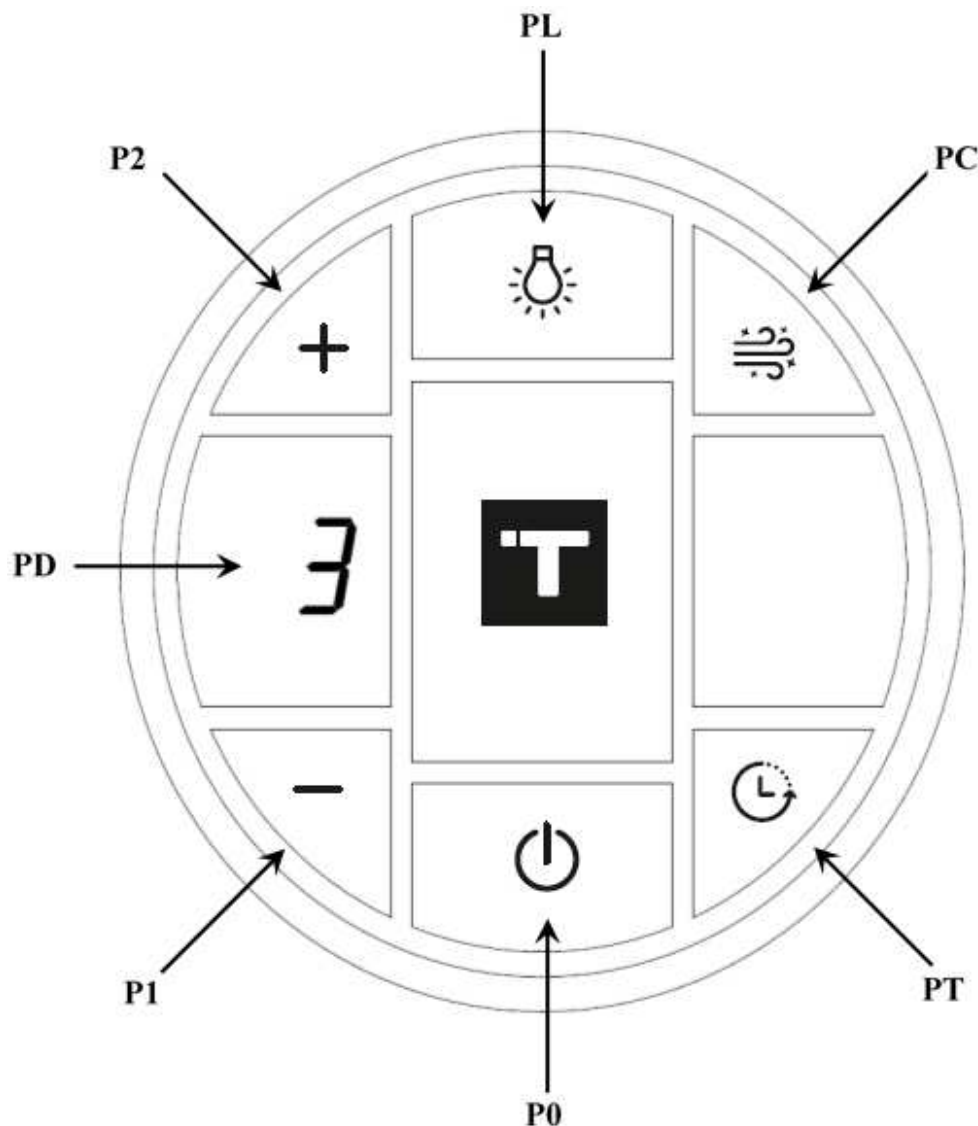
Der Abstand zwischen einem Elektrokochfeld und dem unteren Teil der Abzugshaube muss mindestens 550 mm betragen, während zwischen einem Gaskochfeld und dem unteren Teil der Abzugshaube mindestens 650 mm betragen muss.

Der empfohlene Installationsabstand zwischen Deckenhaube und Kochfeld liegt zwischen 1300 und 1500 mm, der maximale Abstand beträgt 2000 mm.

Diese Haube ist für die Installation an der Decke sowohl in der **ASPIRIERENDEN** Version mit Rauchabzug nach außen als auch in der **FILTERNDEN** Version durch den Kauf des entsprechenden Kits (113290025) vorgesehen.



STEUERUNGSANLEITUNG



Die Fernbedienung wird bereits mit der Dunstabzugshaube programmiert geliefert. Wenn die Fernbedienung aus irgendeinem Grund die Kommunikation mit der Dunstabzugshaube verliert, gehen Sie wie folgt vor:

- Trennen Sie die Haube von der Stromversorgung;
- Warten Sie einige Sekunden und stellen Sie die Stromversorgung wieder her und drücken Sie innerhalb von 10 Sekunden gleichzeitig die Tasten "P1" und "PT" für etwa 3 Sekunden. Die Fernbedienung ist wieder betriebsbereit.

FUNKTIONEN

P0: MOTOR EIN / AUS-Taste.

Bei Auswahl bei ausgeschaltetem Motor zeigt das Display etwa 1 Sekunde lang eine Null "0" an.

P1: Taste zum Verringern der Motorgeschwindigkeit, wenn sich die Dunstabzugshaube in der 1. Geschwindigkeit befindet, schaltet sie den Motor aus.

P2: Taste zum Erhöhen der Motorgeschwindigkeit, wenn die Haube ausgeschaltet ist, schaltet sie die 1. Geschwindigkeit ein, ein zweites Drücken aktiviert die 2. Geschwindigkeit, ein drittes Drücken aktiviert die 3. Geschwindigkeit, ein viertes Drücken aktiviert die 4. Geschwindigkeit, ein Drücken von a fünftes Mal aktiviert die 5. Geschwindigkeit (1. Geschwindigkeit intensiv) (**), sechstes Drücken aktiviert die 6. Geschwindigkeit (2. Geschwindigkeit intensiv) (**).

Auf dem Display erscheinen die Nummern der gewählten Geschwindigkeiten ("1", "2", "3", "4",

“5“, “6“).

(**) Intensivgeschwindigkeiten: Die Dauer der Intensivgeschwindigkeiten beträgt 6 Minuten, danach schaltet die Elektronik automatisch auf die 4. Geschwindigkeit zurück.

PL: LICHTER EIN / AUS-Taste

Lichtintensität: Durch langes Drücken der Taste “PL” bei eingeschaltetem Licht beginnt die Lichtintensität abzunehmen, bis sie den Mindestwert erreicht; das Loslassen der Taste unterbricht das Absenken der Lichtintensität. Sobald der Mindestwert erreicht ist und durch erneutes langes Drücken der Taste “PL” beginnt die Lichtintensität zuzunehmen, bis sie den Höchstwert erreicht; wird sie losgelassen, stoppt sie bei der erreichten Helligkeit.

Lichtfarbe: Halten Sie bei ausgeschalteter Motorhaube und ausgeschaltetem Licht die Taste “PL” gedrückt, bis die LED an der Motorhaube aufleuchtet, um das dynamische Lichtmenü aufzurufen. Durch einmaliges Drücken der Taste “PL” haben Sie die Variation des Farbtons des Lichts von 2700 ° K bis 4000 ° K in 10 Schritten. Sobald der gewünschte Ton erreicht ist, müssen Sie 10 Sekunden warten, die LED auf der Haube hört auf zu blinken und die Funktion wird gespeichert.

PC: Taste FRISCHLUFT EIN/AUS

Aktivierung/Deaktivierung der Frischluft: Durch einmaliges Drücken der „PC“-Taste gelangen Sie in das Menü der Frischluft-/Reinluftfunktion. Durch erneutes langes Drücken der “PC“-Taste bei ausgeschalteter Haube wird die Frischluftfunktion aktiviert (es wird ein “C” auf dem Bildschirm angezeigt). Mit dieser Funktion kann der Motor **10 Minuten lang mit der 1. Geschwindigkeit eingeschaltet werden, gefolgt von 50 Minuten Standby**. Diese Option bleibt für einen Zeitraum von 24 Stunden aktiv. Um die Frischluftfunktion zu deaktivieren, drücken Sie erneut die Taste “PC” oder “P0”. Während die Funktion aktiv ist, blinkt die Motorhauben-LED sowohl bei laufendem Motor als auch im Stand-by alle 5 Sekunden.

Clean Air Aktivierung/Deaktivierung: Durch einmaliges Drücken der “PC“-Taste gelangen Sie in das Fresh Air/Clean Air-Funktionsmenü. Durch einmaliges Drücken von “PC” wird die Clean Air-Funktion aktiviert (ein “C” erscheint auf dem Display).

Wenn diese Funktion aktiviert ist, wird der Motor für etwa **6 Minuten auf maximale Geschwindigkeit eingestellt**, am Ende der 6 Minuten schaltet sich der Motor automatisch ab.

Um diese Funktion zu deaktivieren, drücken Sie die “PC“-Taste oder die „P0“-Taste.

Hinweis: Diese Funktion kann nur bei eingeschalteter Haube aktiviert werden und hat Vorrang vor allen anderen aktiven Motorfunktionen.

PT: TIMER-Taste (auf dem Display erscheint ein “T”)

Der Timer führt einen 15-Minuten-Countdown durch und kann nur bei laufendem Motor aktiviert werden. Die Dauer von 15 Minuten ändert sich nicht, auch wenn die Geschwindigkeiten während des Countdowns geändert werden. Am Ende der 15 Minuten stoppt der Motor.

PD: Anzeige

Aktivierung / Deaktivierung des Summers: Standardmäßig wird die Haube mit aktivem Summer geliefert, wenn Sie ihn deaktivieren möchten, schalten Sie bei ausgeschalteter Haube das Licht ein, indem Sie die Taste “PL” drücken, dann drücken und halten Sie die Tasten “PT” und “P1” Tasten bis zum Einschalten der Dunstabzugshaube ohne akustisches Signal. Wenn Sie wieder aktivieren möchten, wiederholen Sie den oben beschriebenen Vorgang, die LED leuchtet auf und das akustische Signal ertönt zur Bestätigung.

Hinweis: Um Batteriestrom zu sparen, bleibt das Display etwa 4 Sekunden lang aktiv, danach schaltet es sich aus, um die aktiven Funktionen anzuzeigen, wählen Sie eine beliebige Taste und das Display wird wieder aktiviert.

HAUBEN-LED-ANZEIGE

Im Haubenkörper befindet sich eine LED, die den Betriebszustand des auf Drehzahl laufenden Motors nach folgenden Kriterien anzeigt:

Motor AUS: LED aus;

Motor der 1. Geschwindigkeitsmotor Blaue LED-Farbe;

Motor der 2. Geschwindigkeit Grüne LED-Farbe;

Motor der 3. Geschwindigkeit Gelbe LED-Farbe;

Motor der 4. Geschwindigkeit Rote LED-Farbe;

Motor der 5. Geschwindigkeitsmotor (Intensiv) Magenta LED-Farbe (Blinkt intermittierend für 1 Sekunde für 6 Minuten und kehrt dann zur 4. Geschwindigkeit zurück).

Motor der 6. Geschwindigkeitsmotor (Intensiv) Rosa LED-Farbe (Blinkt intermittierend für 1 Sekunde für 6 Minuten und kehrt dann zur 4. Geschwindigkeit zurück).

Durch Aktivieren des Timers blinkt die entsprechende Farb-LED je nach eingestellter Geschwindigkeit intermittierend für 1 Sekunde, nach Ablauf von 15 Minuten schaltet sich bei nicht intensiven Geschwindigkeiten der Motor aus und nicht die Beleuchtung. Was die intensiven Geschwindigkeiten betrifft, so bleibt sie bei aktiviertem Timer die ersten 6 Minuten auf der eingestellten Geschwindigkeit und endet dann die restlichen 9 Minuten mit der 4. Geschwindigkeit.

In der Clean Air-Funktion bleibt die hellblaue LED konstant, der Motor schaltet auf 6. Geschwindigkeit und nach 6 Minuten schaltet der Motor und nicht die Beleuchtung ab.

In der Frischluftfunktion blinkt die blaue LED 5 Sekunden lang intermittierend, bei abgenommener Motorhaube startet der Motor 10 Minuten lang mit der 1. Geschwindigkeit und bleibt dann 50 Minuten lang ausgeschaltet und so weiter, bis die Funktion ausgeschaltet wird.

Metallfetfilter-Reinigungssignal

Nach 30 Betriebsstunden beginnt die grüne LED 20 Sekunden lang zu blinken, um anzuzeigen, dass die Filter gereinigt werden müssen. Um die Filter zurückzusetzen, drücken Sie bei ausgeschalteter Haube 3 Sekunden lang die Taste „P0“, während die LED blinkt.

Longlife- oder Keramikfilter-Reinigungssignal

Nach 120 Betriebsstunden beginnt die rote LED 20 Sekunden lang zu blinken, um anzuzeigen, dass die Filter gereinigt werden müssen. Um die Filter zurückzusetzen, drücken Sie bei ausgeschalteter Haube 3 Sekunden lang die Taste „P0“, während die LED blinkt.

Jedes Mal, wenn eine Taste auf der Fernbedienung gedrückt wird, gibt die Dunstabzugshaube ein akustisches Signal ab, um den Empfang des Signals zu bestätigen.

WARTUNG

WARNUNG! Trennen Sie vor jedem Reinigungs- oder Wartungsvorgang die Stromversorgung der Dunstabzugshaube, indem Sie das Kabel entfernen oder den Hauptschalter in der Wohnung ausschalten. Reinigung und normale Wartung dürfen nicht von Kindern ohne Aufsicht durchgeführt werden.

Reinigung

Das Produkt sollte sowohl innen als auch außen regelmäßig mit einem mit lauwarmem Wasser und einem neutralen, nicht scheuernden flüssigen Reinigungsmittel angefeuchteten Tuch gereinigt werden.

Die metallischen Fettfilter

Es hat die Aufgabe, die Fettpartikel aus den Kochdämpfen zurückzuhalten und den Motor des Absaugers zu schonen, sodass er je nach Gebrauch des Geräts zu unterschiedlichen Zeiten verstopfen kann. Die Filter können in der Spülmaschine mit kurzen Waschgängen und bei niedrigen Temperaturen gewaschen werden, spätestens alle 2 Monate, um Brandgefahr zu vermeiden. Nach einigen Wäschen kann sich der Filter aufgrund von Spülmaschinensalzen und Reinigungsmitteln verfärben. Der Farbumschlag hat keinen Einfluss auf die Funktion des Fettfilters.

Keramische Filter

Sie haben die Aufgabe, Gerüche zurückzuhalten und die an die Umgebung zurückgegebene Luft zu reinigen. Die Keramikfilter können im Backofen bei einer Temperatur von 180/200 °C für ca. 45/60 Minuten gereinigt werden. Es wird empfohlen, die Keramikfilter alle 5 Jahre auszutauschen, um die beste Geruchs-beseitigung zu gewährleisten.

Beleuchtung

Die Haube ist mit einer Beleuchtung ausgestattet, die auf hocheffizienter LED-Technologie, geringem Stromverbrauch und sehr hoher Lebensdauer unter normalen Nutzungsbedingungen basiert.

Wenden Sie sich für den Austausch an die Serviceabteilung.

DAS UNTERNEHMEN HERSTELLER kann nicht für Schäden verantwortlich gemacht werden, die durch eine unsachgemäße Installation oder Verwendung dieses Geräts verursacht werden.

FEHLERBEHEBUNG		
PROBLEM	MÖGLICHE URSACHEN	LÖSUNGEN
Die Lichter der Dunstabzugshaube schalten sich nicht ein	Lampenstecker ist getrennt	Schließen Sie den Lampenstecker an, wie auf Seite 5, Abb. 5 des Handbuchs gezeigt
	Ein-/Ausschalter steht auf Position 0	Stellen Sie den Ein-/Ausschalter auf Position 1, wie auf Seite 4, Bild 4 der Bedienungsanleitung gezeigt
	Keinen Strom	Überprüfen Sie den Beleuchtungstreiber
	Fernbedienung ist nicht synchronisiert	Synchronisieren Sie die Fernbedienung wie in der Bedienungsanleitung ab Seite 20 beschrieben

Der Motor funktioniert nicht	Getrennter Stecker	Schließen Sie den Motorstecker wie auf Seite 6, Bild 7 der Bedienungsanleitung gezeigt an
	Keinen Strom	Überprüfen Sie den Motortreiber
	Strom kommt an, aber der Motor funktioniert nicht	Ersetzen Sie den Motor
Die Fernbedienung funktioniert nicht	Batterie der Fernbedienung schwach	Ersetzen Sie die Batterie wie auf Seite 12, Bild 20 der Bedienungsanleitung gezeigt. Achten Sie darauf, dass die Batterie mit der richtigen Polarität eingelegt wird.
	Fernbedienung ist nicht mit der Dunstabzugshaube synchronisiert	Synchronisieren Sie die Fernbedienung wie in der Bedienungsanleitung ab Seite 20 beschrieben
	Ein-/Ausschalter steht auf Position 0	Stellen Sie den Ein-/Ausschalter auf Position 1, wie auf Seite 4, Bild 4 der Bedienungsanleitung gezeigt
Hood is not working	Keinen Strom	Überprüfen Sie das Netzkabel
	Fernbedienung ist nicht mit der Dunstabzugshaube synchronisiert	Synchronisieren Sie die Fernbedienung wie in der Bedienungsanleitung ab Seite 20 beschrieben
	Probleme mit dem elektrischen System	Überprüfen Sie die Stromversorgung auf der Elektronikplatine
	Ein-/Ausschalter steht auf Position 0	Stellen Sie den Ein-/Ausschalter auf Position 1, wie auf Seite 4, Bild 4 der Bedienungsanleitung gezeigt
Hood saugt wenig Luft an	Verschmutzte Aluminiumfilter	Entfernen Sie die Filter wie auf Seite 11, Bild 17 der Bedienungsanleitung gezeigt und waschen Sie die Filter.
Grüne LED blinkt für 20 Sekunden	Fettfilter-Reinigungsanzeige aus Metall	Setzen Sie die Filter zurück, wenn die Dunstabzugshaube ausgeschaltet ist, indem Sie die Taste „P0“ auf der Fernbedienung 3 Sekunden lang drücken, während die LED blinkt, wie auf Seite 22 der Bedienungsanleitung gezeigt.
Rote LED blinkt 20 Sekunden lang	Reinigungsanzeige für langlebigen oder keramischen Filter	Setzen Sie die Filter zurück, wenn die Dunstabzugshaube ausgeschaltet ist, indem Sie die Taste „P0“ auf der Fernbedienung 3 Sekunden lang drücken, während die LED blinkt, wie auf Seite 22 der Bedienungsanleitung gezeigt.

ADVERTENCIA DE SEGURIDAD

- Este aparato ha sido diseñado para uso doméstico en el entorno doméstico. Nunca utilice el aparato para uso profesional o industrial.
- Este aparato puede ser utilizado por niños mayores de 8 años y por personas con facultades físicas, sensoriales y mentales disminuidas o sin la experiencia y competencia necesarias solo si están debidamente supervisados y si se les han proporcionado las instrucciones necesarias sobre el uso seguro. del aparato e informado de los posibles riesgos y advertencias asociados.
- No se debe permitir que los niños jueguen con el aparato.
- Se seguirán estrictamente las instrucciones de seguridad y advertencia especificadas en el manual del usuario.
- Atención: No utilizar tornillos y dispositivos de fijación según instrucciones especificadas en este manual, puede resultar en un riesgo eléctrico.
- El aparato no debe ser utilizado por personas (niños incluidos) con facultades físicas, sensoriales y mentales disminuidas o sin la experiencia y competencia necesarias a menos que hayan sido debidamente supervisadas e instruidas.
- La limpieza cuidadosa del aparato después de cada uso es muy importante, ya que la falta de limpieza regular

puede resultar en riesgo de incendio.

- Asegúrese de que todos los componentes del aparato no estén dañados. En tal caso, no realice la instalación y póngase en contacto con un centro de asistencia técnica cualificado.
- Los instaladores cualificados deberán realizar los trabajos de carpintería e instalación necesarios respetando plenamente las directivas vigentes.
- No conecte el aparato a la red eléctrica durante la instalación.
- Desconecte el aparato de la red eléctrica antes de realizar cualquier operación de limpieza o mantenimiento.
- Necesidad de permitir la desconexión del aparato de la red eléctrica después de la instalación, a través de un enchufe accesible o interruptor principal.
- No se debe utilizar un limpiador a vapor.
- No utilice abrasivos fuertes ni rascadores metálicos afilados para limpiar el cristal, ya que pueden rayar la superficie y hacer que el cristal se rompa.
- **PRECAUCIÓN:** Asegúrese de que el aparato esté desconectado (APAGADO) antes de reemplazar la lámpara para evitar la posibilidad de descarga eléctrica.
- No retire el plástico protector de la campana hasta que esté completamente instalada, si este plástico no está presente en áreas que podrían tener riesgo de daño durante la instalación.

Esto evitará daños en el exterior del aparato, algo que no estará cubierto por la garantía.

ADVERTENCIAS PARA LA CONEXIÓN ELÉCTRICA

- Las conexiones eléctricas deben ser aprobadas por un electricista calificado antes de usar el aparato.
- La conexión eléctrica debe ser realizada por un solo electricista calificado, quien será responsable de la correcta conexión eléctrica del aparato a la red eléctrica.
- Antes de conectar el aparato a la red eléctrica, compruebe si los valores de tensión, frecuencia y potencia especificados en la etiqueta de características del aparato son compatibles con el suministro eléctrico y la toma de corriente domésticos.
- El cable de alimentación se conectará a un disyuntor magnetotérmico omnipolar con un espacio de contacto del interruptor de al menos 3 mm.
- En caso de que el cable de alimentación esté dañado, deberá ser reemplazado por el fabricante o por el servicio de asistencia técnica o por personal especializado.
- El cable de alimentación no debe entrar en contacto con superficies cuyas temperatura supera los 50° C una vez instalado el aparato.

ADVERTENCIAS PARA EL FUNCIONAMIENTO

- La ventilación debe estar convenientemente en la habitación si se utilizan simultáneamente una campana extractora y aparatos alimentados por gas u otro combustible.

- Si la campana se utiliza simultáneamente con aparatos que queman gas u otros combustibles, la habitación debe tener suficiente ventilación (esta advertencia no se aplica a las campanas instaladas en la versión filtrante).
- Cumplir con cualquier norma local vigente sobre operaciones de extracción de aire.
- Si el aparato se usa en el modo de recirculación, asegúrese de que el polvo de escape esté en buenas condiciones en caso de que no se use por mucho tiempo.
- No está permitido cocinar alimentos sobre llamas abiertas (flambeado) debajo de la campana.
- Nunca deje las ollas sin vigilancia cuando la placa esté encendida: el aceite contenido en la olla podría sobrecalentarse y quemarse. El riesgo de incendio es bastante mayor cuando se utiliza aceite.
- El mantenimiento adecuado de los filtros de grasa y la limpieza precisa son extremadamente importantes.
- Limpiar periódicamente la campana y las demás superficies para evitar cualquier riesgo de incendio.
- **ATENCIÓN:** cuando la placa está encendida, las partes accesibles de la campana pueden calentarse.
- No se permite la conexión del dispositivo de escape a conductos o canales de escape y tuberías para la ventilación de la habitación.

- El aire extraído no debe ser conducido a un conducto de circulación de aire caliente.
- No debe descargarse aire en un conducto de chimenea destinado a humos de aparatos electrodomésticos alimentados con gas u otros combustibles (esto no es aplicable en el caso de campanas que funcionen en modo de recirculación).
- Ventile adecuadamente la habitación cuando una campana extractora y otros
- La presión negativa máxima en la sala no debe superar los 4 Pa (4×10^{-5} bar).
- El local donde se vaya a instalar la campana deberá estar provisto de una toma de aire cuya capacidad deberá ser superior a la del dispositivo de extracción de la campana. Queda terminantemente prohibido colocar las extremidades o cualquier otra parte del cuerpo humano, así como objetos para cocinar u otros objetos, cerca de la unidad extraíble de la campana (si su aparato está equipado con ella).
- Las campanas extractoras y otros extractores de humos de cocina pueden afectar negativamente el funcionamiento seguro de los aparatos que queman gas u otros combustibles (incluidos los que se encuentran en otras habitaciones) debido al reflujos de los gases de combustión. Estos gases pueden potencialmente resultar en envenenamiento por monóxido de

carbono. Después de la instalación de una campana extractora u otro extractor de humos de cocina, una persona competente debe probar el funcionamiento de los aparatos de gas de tiro abierto para asegurarse de que no se produzca un reflujo de los gases de combustión.

Para un uso seguro del producto y conocer todas las características y prestaciones:

- **Lea atentamente este manual de instrucciones de uso antes de la instalación y puesta en marcha.**
- **¡Atención especialmente a las advertencias de seguridad!**
- **El aparato sólo puede utilizarse como se describe en este manual de instrucciones.**
- **Conservar el manual de instrucciones.**
- **Si entrega el aparato a un tercero, entregue también el manual de instrucciones.**

Estimado cliente,
Gracias por elegirnos!

Felicitaciones por haber adquirido su nueva campana de cocina.

Para utilizar el aparato con seguridad y conocer mejor todas sus características y prestaciones:

- Lea atentamente este manual de instrucciones antes de instalar y encender el aparato.
- Se debe prestar especial atención a las advertencias de seguridad!
- El aparato solo se debe utilizar de acuerdo con las instrucciones proporcionadas en este manual de usuario.
- Conserve este manual de instrucciones para futuras consultas.
- En caso de entrega del aparato a un tercero, se entregará también el manual de instrucciones.

INFORMACIÓN GENERAL

Cuando intercambie información con el FABRICANTE del aparato, consulte el número de serie y los datos de identificación especificados en la etiqueta de clasificación.

Este aparato ha sido diseñado, probado y fabricado en pleno cumplimiento de las normas pertinentes sobre:

- Seguridad: CEI/EN 60335-1; CEI/EN 60335-2-31;
- Rendimiento: CEI/EN 61591; CEI/EN 60704-1; CEI/EN 60704-2-13; EN 50564; CEI 62301. CEM: EN 55014-1; EN 55014-2; CEI/EN 61000-3-2; CEI/EN 61000-3-3.

Recomendaciones para un uso correcto del aparato con el fin de reducir el impacto ambiental: cuando comience a cocinar, encienda la campana a la velocidad mínima y apáguela solo unos minutos después de terminar de cocinar. Aumente la velocidad de la campana solo en caso de grandes cantidades de vapores y humos, y use la función de refuerzo solo cuando sea absolutamente necesario. Limpiar el filtro antigrasa sólo cuando sea necesario, para mantener su eficacia a lo largo del tiempo. Utilice un sistema de tuberías con el diámetro máximo especificado en este manual para aumentar la eficiencia y reducir los niveles de ruido.



El símbolo en el aparato o en su documentación indica que este producto no debe tratarse como residuo doméstico, sino que debe entregarse en un punto de recogida específico para el reciclaje de aparatos eléctricos y electrónicos. La eliminación adecuada de este aparato ayudará a reducir el consumo de materias primas y la contaminación ambiental. Para obtener información más detallada sobre el reciclaje de este electrodoméstico, comuníquese con la oficina local de su ciudad, el servicio de eliminación de desechos domésticos o la tienda donde compró el electrodoméstico.

Piezas de repuesto

Utilice únicamente repuestos originales.

Reemplace los componentes antes de que se desgasten. Realice revisiones regulares de mantenimiento, como se detalla en la sección "MANTENIMIENTO".

Garantía

Para disfrutar de la garantía del FABRICANTE, los usuarios deberán seguir estrictamente todas las instrucciones especificadas en este manual, en particular deberán:

- utilizar la campana únicamente para los fines previstos;
- realizar operaciones de mantenimiento continuas y escrupulosas;
- permitir el uso de la campana solo a personas con habilidades y conocimientos probados.

El incumplimiento de las instrucciones contenidas en este manual anulará inmediatamente la garantía del fabricante.

INSTRUCCIONES DE INSTALACIÓN

- **Las operaciones de instalación y conexión eléctrica deben ser realizadas de acuerdo con estas instrucciones y por personal calificado y especializado.**
- **Use guantes protectores antes y durante la instalación.**
- **Controlar que no se coloque en el interior de la campana ningún material accesorio suministrado con el aparato (manuales, accesorios, etc.): en tal caso, quítelo y consérvelo.**

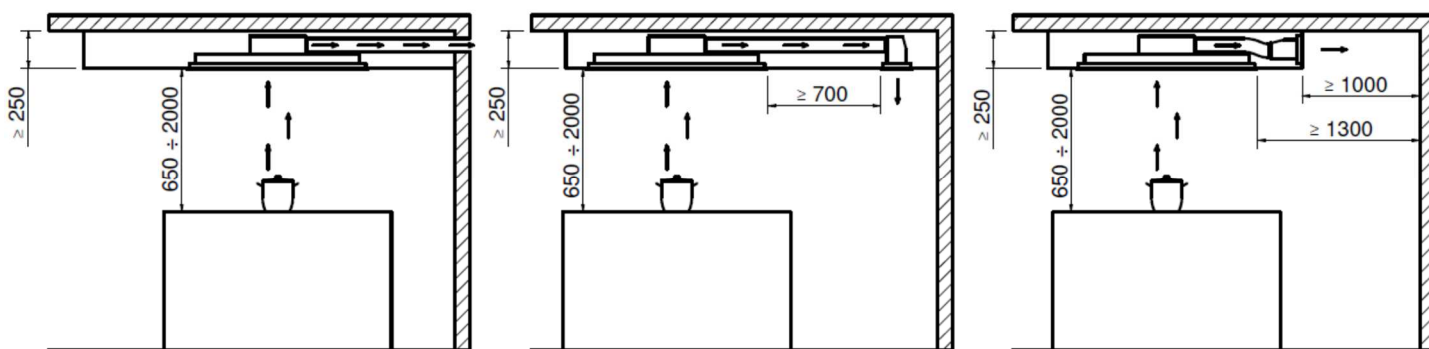
- Las figuras que se muestran en este manual de instalación también pueden referirse a una estética diferente del aparato: en cualquier caso, las instrucciones de uso, instalación y mantenimiento siguen siendo las mismas.

Distancia mínima de seguridad de instalación

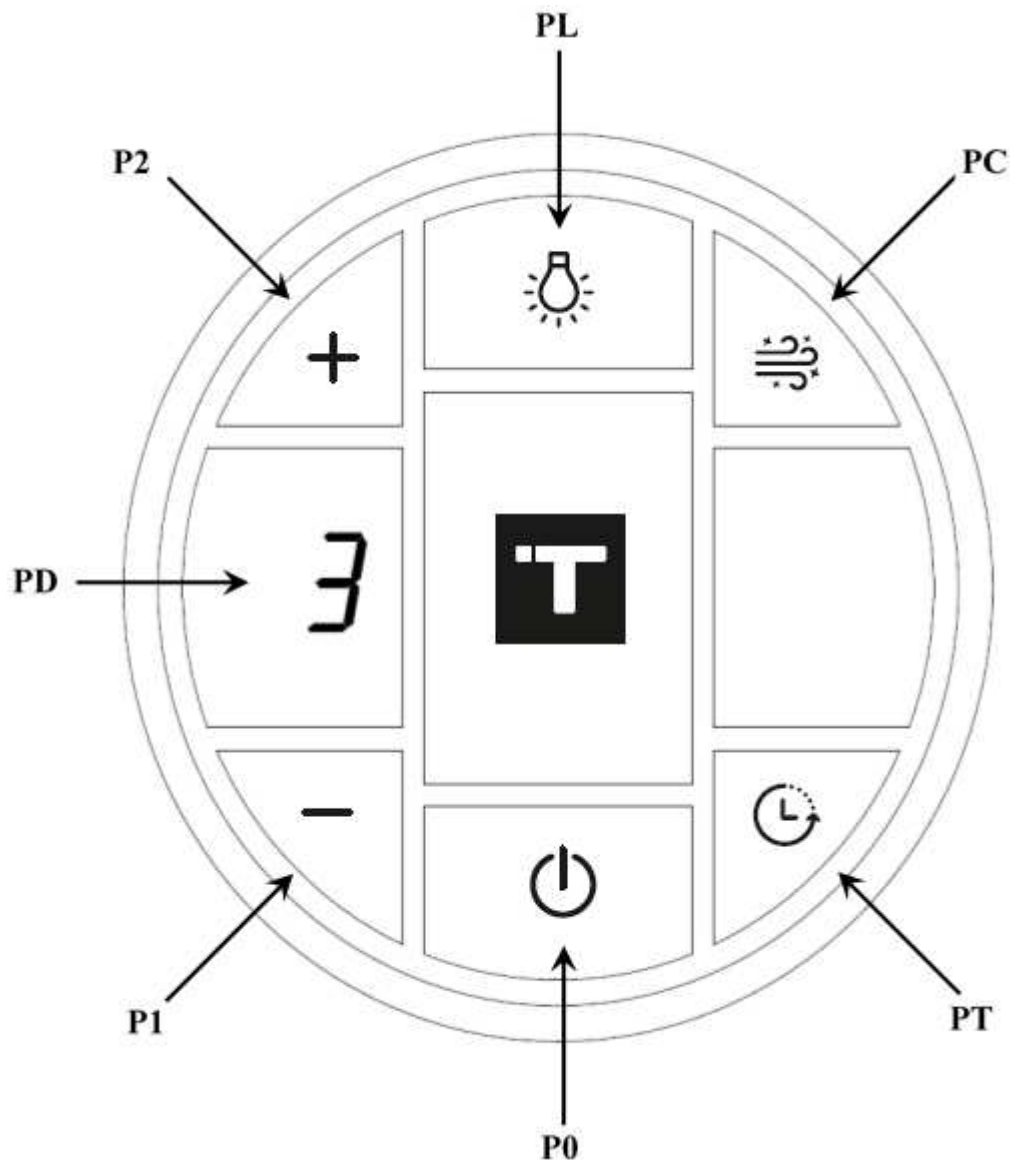
La distancia entre una placa eléctrica y la parte inferior de la campana debe ser como mínimo de 550 mm, mientras que entre una placa de gas y la parte inferior de la campana debe ser como mínimo de 650 mm.

La distancia de instalación recomendada entre la campana de techo y la placa de cocción es de 1300 a 1500 mm, siendo la distancia máxima de 2000 mm.

Esta campana está diseñada para ser instalada en el techo tanto en la versión **ASPIRANTE** con evacuación de humos al exterior como en la versión **FILTRANTE** adquiriendo el kit correspondiente (113290025).



INSTRUÇÃO DE CONTROLE



El control remoto llegará ya programado con la campana, si por alguna razón el control remoto pierde la comunicación con la campana, realice el siguiente procedimiento:

- Desconecte la campana de la fuente de alimentación;
- Espere unos segundos y restaure la energía y dentro de 10 segundos presione los botones "P1" y "PT" al mismo tiempo durante unos 3 segundos.

El mando a distancia volverá a estar operativo.

FUNCIONES

P0: Tecla ENCENDIDO/APAGADO DEL MOTOR.

Si se selecciona con el motor apagado, la pantalla muestra un cero "0" durante aproximadamente 1 segundo.

P1: tecla para disminuir la velocidad del motor, si la campana está en 1ª velocidad apaga el motor.

P2: tecla para aumentar la velocidad del motor, si la campana está apagada se enciende la 1ª velocidad, al pulsar una segunda vez se activa la 2ª velocidad, al pulsar una tercera vez se activa la 3ª velocidad, al pulsar una cuarta vez se activa la 4ª velocidad, al pulsar una quinta vez activa la 5ª velocidad (1ª velocidad intensiva) (**), la sexta pulsación activa la 6ª velocidad (2ª velocidad intensiva) (**).

Los números de las velocidades seleccionadas aparecen en la pantalla ("1", "2", "3", "4", "5", "6").

(**) Velocidades intensivas: la duración de las velocidades intensivas es de 6 minutos, transcurridos los cuales la electrónica vuelve automáticamente a la 4ª velocidad.

PL: tecla ENCENDIDO/APAGADO DE LUCES

Intensidad de la luz: al presionar prolongadamente el botón "PL" con las luces encendidas, la intensidad de la luz comenzará a disminuir hasta alcanzar el valor mínimo; al soltar el botón se interrumpe el descenso de la intensidad luminosa. Una vez alcanzado el valor mínimo y pulsando de nuevo la tecla "PL" durante un tiempo prolongado, la intensidad de la luz comenzará a aumentar hasta alcanzar el valor máximo; si se suelta, se detiene en la luminosidad alcanzada.

Color de luz: con la campana apagada y las luces apagadas, presione y mantenga presionado el botón "PL" hasta que se encienda el LED en la campana para ingresar al menú de luz dinámica. Con pulsaciones simples de la tecla "PL" tendrás la variación del tono de color de la luz desde 2700°K hasta 4000°K en 10 pasos. Una vez alcanzado el tono deseado, deberá esperar 10 segundos, el led de la campana dejará de parpadear y la función quedará memorizada.

PC: Tecla ON/OFF AIRE FRESCO

Activación / Desactivación Aire Fresco: Presionando una vez el botón "PC" entrarás en el menú Aire Fresco o Clean Air. Vuelve a presionar de nuevo el botón "PC" por un tiempo prolongado con la campana apagada y entrará en el modo Aire Fresco (aparecerá en la pantalla una "C" indicándolo). Esta función permite encender el motor a **1ª velocidad durante 10 minutos seguidos de 50 minutos en stand-by**. Esta opción permanece activa durante un periodo de 24 horas. Para desactivar la función Fresh Air, vuelva a pulsar la tecla "PC" o "P0". Mientras que la función está activa, tanto con el motor en marcha como en stand-by, el led del capó parpadeará cada 5 segundos.

Activación / Desactivación de Aire Limpio: Presionando una vez el botón "PC" entrarás en el menú Aire Fresco o Clean Air. Pulsando el botón "PC" una vez más se activará el modo Aire Limpio (aparecerá una "C" en el display).

Cuando esta función está activada, el motor se ajusta a la **velocidad máxima durante unos 6 minutos**, al final de los 6 minutos, el motor se apagará automáticamente.

Para desactivar esta función, presione la tecla "PC" o la tecla "P0".

Nota: esta función solo se puede activar con la campana encendida y tiene prioridad sobre todas las demás funciones activas del motor.

PT: botón TIMER (aparece una "T" en la pantalla)

El temporizador realiza una cuenta regresiva de 15 minutos y solo se puede activar con el motor en marcha.

La duración de 15 minutos no cambia incluso si se cambian las velocidades durante la cuenta regresiva. Al final de los 15 minutos, el motor se detiene.

PD: Pantalla

Activación / desactivación del zumbador: por defecto la campana se entrega con el zumbador activo, si desea desactivar, con la campana apagada, encienda las luces presionando la tecla "PL", luego presione y mantenga presionadas las teclas "PT" y "P1". " hasta el encendido del led de la campana sin señal acústica. Si desea reactivar, repita la operación descrita anteriormente, el LED se encenderá y se emitirá la señal acústica para confirmar.

Nota: Para ahorrar energía de la batería, la pantalla permanece activa durante aproximadamente 4 segundos, después de lo cual se apaga, para ver las funciones activas, seleccione cualquier tecla y la pantalla se reactiva.

INDICACIÓN LED DE CAMPANA

En el cuerpo de la campana hay un LED que indica el estado de funcionamiento del motor funcionando a velocidad según estos criterios:

Motor APAGADO: LED apagado;

Motor 1ª velocidad Color LED azul;

Motor 2ª velocidad Color LED verde;

Motor 3ª velocidad Color LED amarillo;

Motor 4ª velocidad Color LED rojo;

Motor 5ª Velocidad (Intensivo) Color LED magenta (Parpadea intermitentemente durante 1 segundo durante 6 minutos y luego vuelve a 4ª velocidad).

Motor 6ª Velocidad (Intensivo) Color LED rosa (Parpadea intermitentemente durante 1 segundo durante 6 minutos y luego vuelve a 4ª velocidad).

Al activar el temporizador, el LED de color correspondiente, dependiendo de la velocidad establecida, parpadea de forma intermitente durante 1 segundo, al final de 15 minutos, en velocidades no intensivas, el motor se apaga y no la iluminación. En cuanto a las velocidades intensivas, cuando se activa el temporizador, se mantiene en la velocidad configurada durante los primeros 6 minutos y luego finaliza los 9 minutos restantes en la 4ª velocidad.

En la función Clean Air, el LED azul claro permanece fijo, el motor pasa a la 6ª velocidad y después de 6 minutos se apaga el motor y no la iluminación.

En la función Fresh Air, el LED azul parpadea de forma intermitente durante 5 segundos, con la capota apagada, el motor arranca a 1ª velocidad durante 10 minutos y luego permanece apagado durante 50 minutos y así sucesivamente hasta que se apaga la función.

Señal de limpieza del filtro antigrasa metálico

Después de 30 horas de funcionamiento, el LED verde comenzará a parpadear durante 20 segundos indicando que se deben limpiar los filtros. Para restablecer los filtros, con la campana apagada, presione la tecla "P0" durante 3 segundos mientras el LED parpadea.

Señal de limpieza de filtro cerámico o de larga duración

Después de 120 horas de funcionamiento, el LED rojo comenzará a parpadear durante 20 segundos indicando que se deben limpiar los filtros. Para restablecer los filtros, con la campana apagada, presione la tecla "P0" durante 3 segundos mientras el LED parpadea.

Cada vez que se pulsa un botón del mando a distancia, la campana emitirá una señal acústica para confirmar la recepción de la señal.

MANTENIMIENTO

ADVERTENCIA! Antes de cualquier operación de limpieza o mantenimiento, desconecte la alimentación de la campana quitando el cable o desconectando el interruptor general de la vivienda. La limpieza y el mantenimiento ordinario no deben ser realizados por niños sin supervisión.

Limpieza

El producto debe limpiarse con frecuencia tanto interna como externamente con un paño humedecido con agua tibia y detergente líquido neutro no abrasivo.

Los filtros de grasa metálicos

Tiene la función de retener las partículas grasas de los humos de cocción y preservar el motor del aspirador, por lo que está sujeto a obstrucciones en tiempos variables en relación al uso del aparato. Los filtros se pueden lavar en el lavavajillas con ciclos de lavado cortos y a baja temperatura, como máximo cada 2 meses para evitar el riesgo de incendio. Después de algunos lavados, el filtro podría cambiar de color debido a las sales y detergentes del lavavajillas. El cambio de color no afecta la funcionalidad del filtro de grasa.

Filtros Cerámicos

Tienen la función de retener los olores y purificar el aire que se devuelve al ambiente. Los filtros cerámicos se pueden limpiar en el horno a una temperatura de 180/200 °C durante unos 45/60 minutos. Es recomendable reemplazar los filtros cerámicos cada 5 años para asegurar la mejor eliminación de olores.

Encendiendo

La campana está equipada con iluminación basada en tecnología LED de alta eficiencia, bajo consumo y muy alta durabilidad en condiciones normales de uso. Para el reemplazo, comuníquese con el departamento de servicio.

LA EMPRESA FABRICANTE no se hace responsable de los daños causados por una instalación o uso inadecuado de este aparato.

SOLUCIÓN DE PROBLEMAS

PROBLEMA	POSIBLES CAUSAS	SOLUCIONES
Las luces de la campana extractora no se encienden	El conector de la lámpara está desconectado	Conecte el conector de la lámpara como se muestra en la página 5, Fig.5 del manual
	El interruptor de encendido / apagado está en la posición 0	Coloque el interruptor de encendido / apagado en la posición 1 como se muestra en la página 4, Imagen 4 del manual de instrucciones

	Sin electricidad	Compruebe el controlador de iluminación
	El control remoto no está sincronizado	Sincronice el control remoto como se describe en el manual de instrucciones de la página 20
El motor no funciona	Conector desconectado	Conecte el conector del motor como se muestra en la página 6, Imagen 7 del manual de instrucciones
	Sin electricidad	Verifique el controlador del motor
	Llega la electricidad pero el motor no funciona	Reemplazar el motor
El control remoto no funciona	Batería baja del control remoto	Reemplace la batería como se muestra en la página 12, Imagen 20 del manual de instrucciones. Asegúrese de que la batería esté insertada con la polaridad correcta.
	El control remoto no está sincronizado con la campana	Sincronice el control remoto como se describe en el manual de instrucciones de la página 20
	El interruptor de encendido / apagado está en la posición 0	Coloque el interruptor de encendido / apagado en la posición 1 como se muestra en la página 4, Imagen 4 del manual de instrucciones
La campana no funciona	Sin electricidad	Verifique el cable de alimentación
	El control remoto no está sincronizado con la campana	Sincronice el control remoto como se describe en el manual de usuario de la página 20
	Problemas del sistema eléctrico	Verifique la fuente de alimentación en la placa electrónica
	El interruptor de encendido / apagado está en la posición 0	Coloque el interruptor de encendido / apagado en la posición 1 como se muestra en la página 4, Imagen 4 del manual de instrucciones
La campana aspira poco aire	Filtros de aluminio sucios	Retire los filtros como se muestra en la página 11, Imagen 17 del manual de operación y lave los filtros.
El LED verde parpadea durante 20 segundos	Indicador de limpieza del filtro de grasa de metal	Reinicie los filtros cuando la campana esté apagada presionando el botón "P0" en el control remoto durante 3 segundos mientras el LED parpadea como se muestra en la página 22 del manual de instrucciones.
El LED rojo parpadea durante 20 segundos	Indicador de limpieza de filtro cerámico o de larga duración	Reinicie los filtros cuando la campana esté apagada presionando el botón "P0" en el control remoto durante 3 segundos mientras el LED parpadea como se muestra en la página 22 del manual del usuario.

AVISO DE SEGURANÇA

- Este aparelho foi concebido para uso doméstico no ambiente doméstico. Nunca use o aparelho para uso profissional ou industrial.
- Este aparelho pode ser operado por crianças com mais de 8 anos e por pessoas com deficiências físicas, sensoriais e mentais ou sem a experiência e competência necessárias apenas se devidamente supervisionadas e se tiverem recebido as instruções necessárias para o uso seguro do aparelho e informados dos potenciais riscos e avisos associados.
- As crianças não devem brincar com o aparelho.
- As instruções de segurança e advertência especificadas no manual do usuário devem ser rigorosamente seguidas.
- Atenção: Não utilizar parafusos e dispositivos de fixação conforme instruções especificadas neste manual, pode resultar em risco elétrico.
- O aparelho não deve ser utilizado por pessoas (incluindo crianças) com deficiências físicas, sensoriais e mentais ou sem a experiência e competência necessárias, a menos que tenham sido devidamente supervisionadas e instruídas.
- A limpeza cuidadosa do aparelho após cada utilização é muito importante, pois a falta de limpeza regular

pode resultar em risco de incêndio.

- Certifique-se de que todos os componentes do aparelho não estão danificados. Nesse caso, não faça a instalação e entre em contato com um centro de assistência técnica qualificado.
- Os instaladores qualificados devem realizar os trabalhos de carpintaria e instalação necessários em plena conformidade com as directivas em vigor.
- Não conecte o aparelho à rede elétrica durante a instalação.
- Desligue o aparelho da alimentação elétrica antes de efectuar qualquer operação de limpeza ou manutenção.
- Necessidade de permitir a desconexão do aparelho da rede elétrica após a instalação, através de uma ficha acessível ou interruptor geral.
- O limpador a vapor não deve ser usado.
- Não use abrasivos fortes ou raspadores de metal afiados para limpar o vidro, pois podem arranhar a superfície, o que pode causar a quebra do vidro.
- CUIDADO: Certifique-se de que o aparelho esteja desconectado (OFF) antes de substituir a lâmpada para evitar a possibilidade de choque elétrico.
- Não remova o plástico protetor do exaustor até que esteja completamente instalado, se este plástico não estiver presente em áreas que possam ter risco de danos durante a instalação. Isso evitará danos à parte externa do aparelho, algo que não será coberto pela garantia.

AVISOS PARA CONEXÃO ELÉTRICA

- As conexões elétricas devem ser aprovadas por um eletricista qualificado antes de usar o aparelho.
- A ligação eléctrica deve ser efectuada por apenas um electricista qualificado, que será responsável pela correcta ligação eléctrica do aparelho à rede eléctrica.
- Antes de conectar o aparelho à rede eléctrica, verifique se os valores de tensão, frequência e potência especificados na etiqueta de classificação do aparelho são compatíveis com a fonte de alimentação e tomada doméstica.
- O cabo de alimentação deve ser conectado a um disjuntor magnetotérmico omipolar com uma distância entre contatos de comutação de pelo menos 3 mm.
- Caso o cabo de alimentação esteja danificado, deverá ser substituído pelo fabricante ou pelo serviço de assistência técnica ou por pessoal especializado.
- O cabo de alimentação não deve entrar em contato com superfícies cuja temperatura superior a 50°C após a instalação do aparelho.

AVISOS PARA OPERAÇÃO

- A ventilação deve ser fornecida convenientemente na sala se um exaustor e aparelhos movidos a gás ou outro combustível forem usados simultaneamente.
- Se o exaustor for utilizado simultaneamente com aparelhos que queimam gás ou outros combustíveis, o local deve ter

ventilação suficiente (este aviso não é aplicável para exaustores instalados na versão filtrante).

- Cumpra qualquer norma local em vigor sobre operações de exaustão de ar.
- Se o aparelho for usado no modo de recirculação, certifique-se de que o pó de exaustão esteja em boas condições, caso não tenha sido usado por muito tempo.
- Não é permitido cozinhar alimentos em chamas abertas (flambe) sob o exaustor.
- Nunca deixe panelas sem vigilância com a placa ligada: o óleo contido na panela pode sobreaquecer e queimar. O risco de incêndio é bastante maior quando o óleo é usado.
- Filtros de gordura manutenção adequada e limpeza precisa são extremamente importantes.
- Limpe regularmente o exaustor e as outras superfícies para evitar qualquer risco de incêndio.
- **ATENÇÃO:** com a placa ligada, as partes acessíveis do exaustor podem ficar quentes.
- Não é permitida a conexão do dispositivo de exaustão a dutos ou canais de exaustão e tubos para ventilação do ambiente.
- O ar extraído não deve ser conduzido para um duto de circulação de ar quente.
- O ar não deve ser descarregado em uma chaminé utilizada para fumos de electrodomésticos movidos a gás ou outros

combustíveis (isto não é aplicável no caso de exaustores que funcionem no modo de recirculação).

- Ventile adequadamente o ambiente quando um exaustor e outros.
- A pressão negativa máxima na sala não deve exceder 4 Pa (4×10^{-5} bar).
- O local onde será instalado o exaustor deverá ser dotado de uma tomada de ar cuja capacidade seja superior à do exaustor do exaustor. É estritamente proibido colocar os membros ou qualquer outra parte do corpo humano, bem como objetos de cozinha ou outros objetos, perto da unidade extraível do exaustor (se o seu aparelho estiver equipado com ele).
- Exaustores e outros exaustores de fumaça de cozinha podem afetar adversamente a operação segura de aparelhos que queimam gás ou outros combustíveis (incluindo aqueles em outras salas) devido ao refluxo dos gases de combustão. Esses gases podem potencialmente resultar em envenenamento por monóxido de carbono. Após a instalação de um exaustor ou outro exaustor de fumaça de cozinha, o funcionamento de aparelhos de gás de combustão aberta deve ser testado por uma pessoa competente para garantir que não ocorra refluxo de gases de combustão.

Para um uso seguro do produto e conhecer todas as características e desempenhos:

- **Leia atentamente este manual de instruções para uso antes da instalação e comissionamento.**
- **Atenção especialmente aos avisos de segurança!**
- **O aparelho só pode ser utilizado conforme descrito neste manual de instruções.**
- **Guarde o manual de instruções.**
- **Se entregar o aparelho a terceiros, entregue também o manual de instruções.**

Estimado cliente,
Obrigado por nos escolher!

Parabéns por ter adquirido o seu novo exaustor de cozinha.

Para utilizar o aparelho com segurança e conhecer melhor todas as suas características e desempenhos:

- Leia atentamente este manual de instruções antes de instalar e ligar o aparelho.
- Atenção especial deve ser dada aos avisos de segurança!
- O aparelho só deve ser usado de acordo com as instruções fornecidas neste manual do usuário.
- Guarde este manual de instruções para referência futura.
- Caso o aparelho seja cedido a terceiros, o manual de instruções também deverá ser fornecido.

INFORMAÇÕES GERAIS

Ao trocar informações com o FABRICANTE do aparelho, consulte o número de série e os dados de identificação especificados na etiqueta de classificação.

Este aparelho foi concebido, testado e fabricado em total conformidade com todas as normas relevantes sobre:

- Segurança: CEI/EN 60335-1; CEI/EN 60335-2-31;
 - Desempenho: CEI/EN 61591; CEI/EN 60704-1; CEI/EN 60704-2-13; EN 50564; CEI 62301.
- EMC: EN 55014-1; EN 55014-2; CEI/EN 61000-3-2; CEI/EN 61000-3-3.

Recomendações para o uso adequado do aparelho visando a redução do impacto ambiental: ao começar a cozinhar, ligue o exaustor na velocidade mínima e desligue-o apenas alguns minutos depois de terminar de cozinhar. Aumente a velocidade do exaustor somente em caso de grandes quantidades de vapores e fumaças e use a função booster somente quando for absolutamente necessário. Limpe o filtro de gordura somente quando necessário, para manter

sua eficiência ao longo do tempo. Use um sistema de tubulação com o diâmetro máximo especificado neste manual, a fim de aumentar a eficiência e reduzir os níveis de ruído.



O símbolo no aparelho ou em sua documentação indica que este produto não deve ser tratado como lixo doméstico, mas deve ser entregue em um ponto de coleta específico para reciclagem de equipamentos elétricos e eletrônicos. A eliminação adequada deste aparelho ajudará a reduzir o consumo de matérias-primas e a poluição ambiental. Para obter informações mais detalhadas sobre a reciclagem deste aparelho, entre em contato com a prefeitura local, o serviço de coleta de lixo doméstico ou a loja onde você comprou o aparelho.

Partes separadas

Use apenas peças de reposição originais.

Substitua os componentes antes que eles se desgastem. Realize verificações regulares de manutenção, conforme detalhado na seção “MANUTENÇÃO”.

Garantia

Para usufruir da garantia do FABRICANTE, os usuários devem seguir rigorosamente todas as instruções especificadas neste manual, em particular devem:

- utilize o exaustor apenas para os fins a que se destina;
- realizar operações de manutenção contínuas e escrupulosas;
- permitir a utilização do exaustor apenas a pessoas com competências e conhecimentos comprovados.

O não cumprimento das instruções contidas neste manual anulará imediatamente a garantia do fabricante.

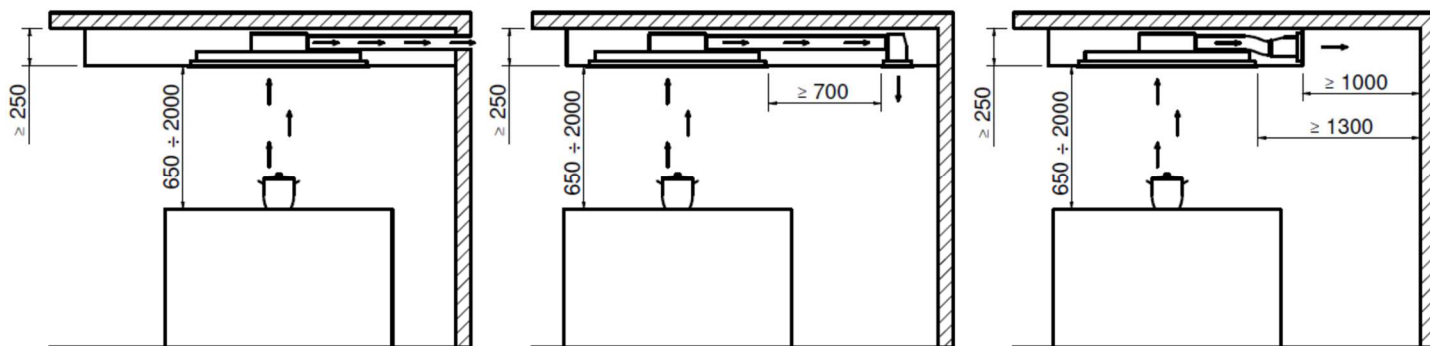
INSTRUÇÕES DE INSTALAÇÃO

- **As operações de instalação e conexão elétrica devem ser realizadas de acordo com estas instruções e por pessoal qualificado e especializado.**
- **Use luvas de proteção antes e durante a instalação.**
- **Certifique-se de que nenhum material acessório fornecido com o aparelho (manuais, acessórios, etc.) seja colocado dentro do exaustor: neste caso, retire-os e guarde-os.**
- **As figuras apresentadas neste manual de instalação também podem referir-se a diferentes estéticas do aparelho: em qualquer caso, as instruções de uso, instalação e manutenção permanecem as mesmas.**

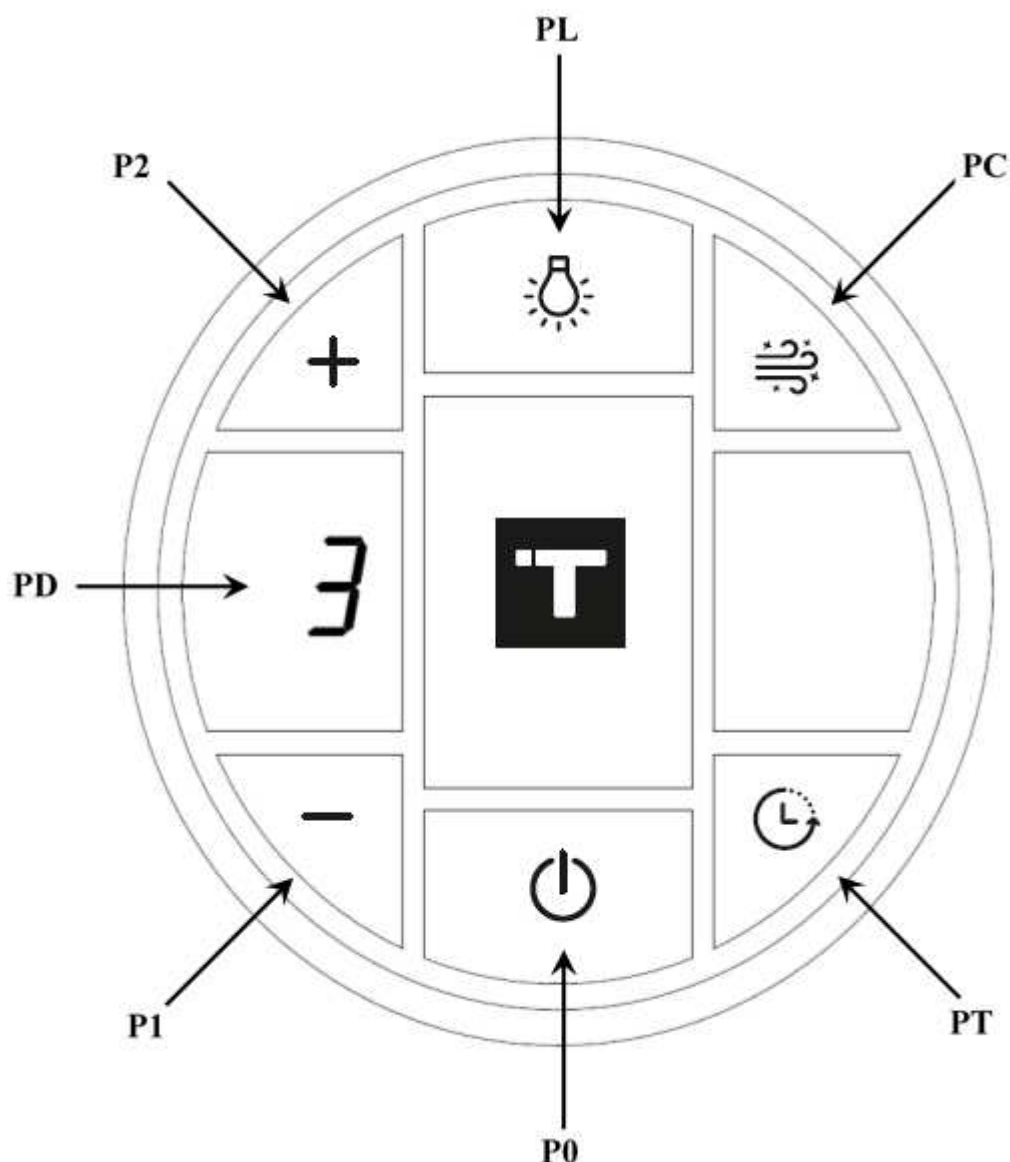
Distância mínima de segurança de instalação

A distância entre uma placa elétrica e a parte inferior do exaustor deve ser de pelo menos 550 mm, enquanto entre uma placa a gás e a parte inferior do exaustor deve ser de, no mínimo, 650 mm. A distância de instalação recomendada entre o exaustor e a placa é entre 1300 e 1500mm, enquanto a distância máxima é de 2000mm.

Este exaustor foi concebido para ser instalado no tecto tanto na versão **ASPIRAÇÃO** com evacuação de fumos para o exterior como na versão **FILTRANTE** mediante a aquisição do respectivo kit (113290025).



INSTRUÇÃO DE CONTROLE



O controle remoto chegará já programado com o exaustor, se por algum motivo o controle remoto perder a comunicação com o exaustor, execute o seguinte procedimento:

- Desconecte o exaustor da rede elétrica;
- Aguarde alguns segundos e restaure a energia e dentro de 10 segundos pressione os botões “P1” e “PT” ao mesmo tempo por cerca de 3 segundos.

O controle remoto estará operacional novamente.

FUNÇÕES

P0: Tecla LIGA/DESLIGA MOTOR.

Se selecionado com o motor desligado, o display mostra um zero "0" por cerca de 1 segundo.

P1: tecla para diminuir a velocidade do motor, se o exaustor estiver na 1ª velocidade desliga o motor.

P2: tecla para aumentar a velocidade do motor, se o exaustor estiver desligado liga a 1ª velocidade, pressionando uma segunda vez ativa a 2ª velocidade, pressionando uma terceira vez ativa a 3ª velocidade, pressionando uma quarta vez ativa a 4ª velocidade, pressionando uma quinta vez ativa a 5ª velocidade (1ª velocidade intensiva) (**), pressionando uma sexta vez ativa a 6ª velocidade (2ª velocidade intensiva) (**).

Os números das velocidades selecionadas aparecem no display ("1", "2", "3", "4", "5", "6").

(**) Velocidades intensivas: a duração das velocidades intensivas é de 6 minutos, após os quais a electrónica regressa automaticamente à 4ª velocidade.

PL: Tecla LIGAR/DESLIGAR LUZ

Intensidade da luz: pressionando o botão "PL" por muito tempo com as luzes acesas, a intensidade da luz começará a diminuir até atingir o valor mínimo; soltar o botão interrompe a descida da intensidade da luz. Uma vez atingido o valor mínimo e pressionando novamente a tecla "PL" por muito tempo, a intensidade da luz começará a aumentar até atingir o valor máximo; se liberado, ele para no brilho alcançado.

Cor da luz: com o exaustor e as luzes apagadas, pressione e segure o botão "PL" até que o LED do exaustor se acenda para entrar no menu de luz dinâmica. Apertando uma única vez a tecla "PL" você terá a variação do tom de cor da luz de 2700°K a 4000°K em 10 passos. Uma vez alcançado o tom desejado, deverá aguardar 10 segundos, o LED da coifa deixará de piscar e a função será memorizada.

PC: Tecla ON/OFF AR FRESCO

Ativação / Desativação de Ar Fresco: Ao pressionar o botão "PC" uma vez, você entrará no menu de função Ar Fresco/Ar Puro. Em seguida, pressionando o botão "PC" novamente por um longo tempo com o exaustor desligado, a função Fresh Air será ativada (exibirá um "C" na tela). Esta função permite ligar o motor na **1ª velocidade durante 10 minutos seguidos de 50 minutos em stand-by**. Esta opção permanece ativa durante um período de 24 horas. Para desativar a função Fresh Air, pressione novamente a tecla "PC" ou "P0". Enquanto a função estiver ativa, tanto com o motor em funcionamento quanto em stand-by, o LED do capô piscará a cada 5 segundos.

Ativação / Desativação do Ar Puro: Ao pressionar o botão "PC" uma vez, você entrará no menu de função Ar Fresco/Ar Puro. Em seguida, pressionando o "PC" uma vez que a função Clean Air será ativada (um "C" aparece no display).

Quando esta função é ativada, o motor fica na **velocidade máxima por cerca de 6 minutos**, ao final dos 6 minutos o motor desliga automaticamente.

Para desativar esta função, pressione a tecla "PC" ou a tecla "P0".

Nota: esta função só pode ser ativada com a coifa ligada e tem prioridade sobre todas as outras funções ativas do motor.

PT: Botão TIMER (aparece um "T" no visor)

O temporizador realiza uma contagem regressiva de 15 minutos e só pode ser ativado com o motor em funcionamento.

A duração de 15 minutos não muda mesmo se as velocidades forem alteradas durante a contagem regressiva. Ao final dos 15 minutos o motor para.

PD: Exibir

Ativação / desativação do buzzer: por defeito o exaustor é fornecido com o buzzer ativo, se desejar desativar, com o exaustor desligado, acenda as luzes pressionando a tecla "PL", depois pressione e segure as teclas "PT" e "P1 " até o acendimento do led da coifa sem sinal acústico. Se desejar reativar, repita a operação descrita acima, o LED acenderá e será emitido um sinal acústico para confirmar.

Nota: Para economizar bateria, o display permanece ativo por cerca de 4 segundos, após o que desliga, para visualizar as funções ativas selecione qualquer tecla e o display é reativado.

INDICAÇÃO DE LED DO CAPÔ

No corpo da coifa existe um LED que indica o estado de funcionamento do motor funcionando em velocidade de acordo com estes critérios:

Motor DESLIGADO: LED apagado;

Cor do LED azul do motor de 1ª velocidade;

Cor do LED verde do motor de 2ª velocidade;

Cor do LED amarelo do motor de 3ª velocidade;

Cor do LED vermelho do motor de 4ª velocidade;

Motor de 5ª velocidade (Intensivo) LED de cor magenta (pisca intermitentemente por 1 segundo por 6 minutos e depois retorna para a 4ª velocidade).

Motor de 6ª velocidade (Intensivo) LED cor-de-rosa (pisca intermitentemente por 1 segundo por 6 minutos e depois retorna à 4ª velocidade).

Ao acionar o timer, o LED de cor correspondente, dependendo da velocidade definida, pisca intermitentemente por 1 segundo, ao final de 15 minutos, em velocidades não intensivas, o motor desliga e não a iluminação. Quanto às velocidades intensivas, quando o timer é ativado, ele permanece na velocidade definida nos primeiros 6 minutos e depois termina os 9 minutos restantes na 4ª velocidade.

Na função Clean Air, o LED azul claro permanece fixo, o motor passa para 6ª velocidade e após 6 minutos o motor e não a iluminação desliga.

Na função Fresh Air, o LED Azul pisca intermitentemente por 5 segundos, com o capô desligado, o motor arranca em 1ª marcha por 10 minutos e depois permanece desligado por 50 minutos e assim sucessivamente até que a função seja desligada.

Sinal de limpeza do filtro de gordura de metal

Após 30 horas de operação, o LED Verde começará a piscar por 20 segundos indicando a limpeza dos filtros. Para zerar os filtros, com a coifa desligada, pressione a tecla "P0" por 3 segundos enquanto o LED estiver piscando.

Sinal de limpeza do filtro de longa duração ou cerâmica

Após 120 horas de operação, o LED Vermelho começará a piscar por 20 segundos indicando a limpeza dos filtros. Para zerar os filtros, com a coifa desligada, pressione a tecla "P0" por 3 segundos enquanto o LED estiver piscando.

Cada vez que um botão do controle remoto for pressionado, o exaustor emitirá um sinal acústico para confirmar a recepção do sinal.

MANUTENÇÃO

AVISO! Antes de qualquer operação de limpeza ou manutenção, retire a alimentação do exaustor retirando o cabo ou desligando o interruptor geral da casa. A limpeza e a manutenção ordinária não devem ser feitas por crianças sem supervisão.

Limpeza

A limpeza interna e externa do produto deve ser frequente com pano umedecido em água morna e detergente líquido neutro não abrasivo.

Os filtros metálicos de gordura

Tem a função de reter as partículas de gordura dos fumos da cozedura e preservar o motor do aspirador, pelo que está sujeito a entupimentos em tempos variáveis em relação à utilização do aparelho. Os filtros podem ser lavados na máquina de lavar louça com ciclos de lavagem curtos e a baixas temperaturas, o mais tardar a cada 2 meses para evitar o risco de incêndio. Após algumas lavagens, o filtro pode mudar de cor, devido aos sais e detergentes da máquina de lavar louça. A mudança de cor não afeta a funcionalidade do filtro de gordura.

Filtros de cerâmica

Eles têm a função de reter odores e purificar o ar que é devolvido ao ambiente. Os filtros cerâmicos podem ser limpos no forno a uma temperatura de 180/200°C durante cerca de 45/60 minutos. É recomendável substituir os filtros cerâmicos a cada 5 anos para garantir a melhor eliminação de odores.

Iluminação

O exaustor está equipado com iluminação baseada na tecnologia LED de alta eficiência, baixo consumo de energia e altíssima durabilidade em condições normais de uso. Para substituição, contacte o departamento de assistência.

O FABRICANTE DA EMPRESA não pode ser responsabilizado por quaisquer danos causados por uma instalação ou uso inadequado deste aparelho.

SOLUÇÃO DE PROBLEMAS

PROBLEMA	CAUSAS POSSÍVEIS	SOLUÇÕES
As luzes do exaustor não acendem	O conector da lâmpada está desconectado	Conecte o conector da lâmpada conforme mostrado na página 5, Fig. 5 do manual
	O interruptor liga/desliga está na posição 0	Coloque o interruptor liga/desliga na posição 1 conforme mostrado na página 4, Figura 4 do manual de instruções
	Sem eletricidade	Verifique o driver de iluminação
	O controle remoto não está sincronizado	Sincronize o controle remoto conforme descrito no manual de instruções da página 20

O motor não funciona	Conector desconectado	Ligue o conector do motor conforme mostrado na página 6, Figura 7 do manual de instruções
	Sem eletricidade	Verifique o driver do motor
	A eletricidade chega, mas o motor não funciona	Substitua o motor
O controle remoto não está funcionando	Bateria baixa do controle remoto	Substitua a bateria conforme mostrado na página 12, Figura 20 do manual de instruções. Certifique-se de que a bateria esteja inserida com a polaridade correta.
	O controle remoto não está sincronizado com o capô	Sincronize o controle remoto conforme descrito no manual de instruções da página 20
	O interruptor liga/desliga está na posição 0	Coloque o interruptor liga/desliga na posição 1 conforme mostrado na página 4, Figura 4 do manual de instruções
Capuz não está funcionando	Sem eletricidade	Verifique o cabo de alimentação
	O controle remoto não está sincronizado com o capô	Sincronize o controle remoto conforme descrito no manual do usuário a partir da página 20
	Problemas no sistema elétrico	Verifique a alimentação na placa eletrônica
	O interruptor liga/desliga está na posição 0	Coloque o interruptor liga/desliga na posição 1 conforme mostrado na página 4, Figura 4 do manual de instruções
Capô aspira pouco ar	Filtros de alumínio sujos	Remova os filtros conforme indicado na página 11, Figura 17 do manual de operação e lave os filtros.
LED verde pisca por 20 segundos	Indicador de limpeza do filtro de gordura de metal	Reajuste os filtros quando o exaustor estiver desligado pressionando o botão "P0" no controle remoto por 3 segundos enquanto o LED pisca conforme mostrado na página 22 do manual de instruções.
LED vermelho pisca por 20 segundos	Indicador de limpeza do filtro de longa duração ou cerâmica	Reajuste os filtros quando o exaustor estiver desligado pressionando o botão "P0" no controle remoto por 3 segundos enquanto o LED pisca conforme mostrado na página 22 do manual do usuário.

AVVERTENZA DI SICUREZZA

- L'apparecchio è destinato ad essere utilizzato esclusivamente per uso domestico e non per uso professionale.
- Questo apparecchio può essere utilizzato da bambini di età superiore agli 8 anni e da persone con facoltà fisiche, sensoriali e mentali ridotte o prive della necessaria esperienza e competenza solo se adeguatamente sorvegliati e se sono state fornite loro le necessarie istruzioni per l'uso sicuro dell'apparecchio e informato dei potenziali rischi e avvertenze associati.
- I bambini non devono giocare con l'apparecchio.
- Le istruzioni di sicurezza e di avvertenza specificate nel manuale dell'utente devono essere rigorosamente seguite.
- Attenzione: mancato utilizzo di viti e dispositivi di fissaggio secondo istruzioni specificate in questo manuale, può comportare rischi elettrici.
- L'apparecchio non deve essere utilizzato da persone (bambini compresi) con facoltà fisiche, sensoriali e mentali compromesse o prive della necessaria esperienza e competenza, a meno che non siano state adeguatamente controllate e istruite.
- È importante effettuare una pulizia adeguata del prodotto

dopo ogni utilizzo, poiché la mancanza di pulizia può generare pericoli di incendio.

- Assicurarsi che tutti i componenti dell'apparecchio non siano danneggiati. In caso contrario non proseguire con l'installazione e contattare un centro di assistenza qualificato.
- L'installatore specializzato deve eseguire tutti i necessari lavori di carpenteria e montaggio tenendo conto delle direttive esistenti.
- Durante l'installazione non collegare l'apparecchio alla rete elettrica.
- Prima di qualsiasi operazione di pulizia o manutenzione, disconnettere l'apparecchio dalla rete di alimentazione.
- Consentire lo scollegamento dell'apparecchio alla rete elettrica dopo l'installazione tramite una spina accessibile o interruttore generale.
- Non utilizzare pulitore a vapore.
- Non utilizzare abrasivi aggressivi o raschietti metallici affilati per pulire il vetro poiché possono graffiare la superficie, causando la rottura del vetro.
- **ATTENZIONE:** Assicurarsi che l'apparecchio sia scollegato (OFF) prima di sostituire la lampada per evitare la possibilità di scosse elettriche.
- Non rimuovere la plastica protettiva dalla cappa fino a quando non è completamente installata, se questa plastica non è presente in queste aree si potrebbero avere rischi di

danneggiamento durante l'installazione. Ciò eviterà danni estetici dell'apparecchio, cosa che non sarà coperta dalla garanzia.

AVVERTENZE PER IL COLLEGAMENTO ELETTRICO

- I collegamenti elettrici devono essere approvati per il sistema in uso da un elettricista qualificato prima dell'uso.
- Il collegamento elettrico deve essere eseguito solo da un elettricista qualificato il quale si assume la responsabilità della corretta installazione elettrica del prodotto alla rete di alimentazione.
- Prima di collegare l'apparecchio all'alimentazione elettrica: verificare che i valori di tensione, frequenza e potenza elettrica indicati sull'etichetta dati dell'apparecchio siano compatibili con l'alimentazione elettrica e la presa.
- Il cavo di alimentazione deve essere collegato ad un interruttore magnetotermico omnipolare con una distanza tra i contatti di almeno 3 mm.
- Se il cavo di alimentazione danneggiato, deve essere sostituito dal costruttore, dal servizio di assistenza o da personale specializzato.
- Quando il prodotto è installato il cavo di alimentazione non deve essere in contatto con superfici con temperatura superiore a 50°C.

AVVERTENZE PER IL FUNZIONAMENTO

- Assicurare una ventilazione sufficiente all'interno della stanza

- se la cappa viene utilizzata contemporaneamente con apparecchi alimentati a gas o altro combustibile.
- Se la cappa viene utilizzata contemporaneamente ad apparecchi che bruciano gas o altri combustibili, il locale deve avere una sufficiente aereazione (tale avvertenza non è applicabile per cappe istallate in versione filtrante).
 - Rispettare tutte le normative locali sulle operazioni di scarico dell'aria.
 - Se il prodotto viene utilizzato in modalità di ricircolo, assicurarsi della buona condizione del condotto di scarico nel caso in cui sia rimasto fermato per lungo tempo.
 - Non è consentito cuocere cibi su fiamme libere (flambé) sotto la cappa. Quando il piano cottura è in funzione non lasciare mai la pentola incustodita: l'olio contenuto nella pentola può surriscaldarsi e infiammarsi. Quando si utilizza l'olio, il rischio di incendi è più elevato.
 - È importante eseguire una corretta manutenzione e pulire i filtri antigrasso.
 - Per evitare il pericolo di incendio è necessario pulire frequentemente la cappa e le altre superfici.
 - **ATTENZIONE:** quando il piano di cottura è in funzione le parti accessibili della cappa possono diventare calde.
 - È vietato collegare lo scarico a condotti o canali di scarico e tubi per la ventilazione delle stanze.
 - L'aria evacuata non deve essere convogliata in un condotto

di circolazione ad aria calda.

- L'aria non deve essere scaricata in una canna fumaria usata per l'esaurimento di fumi dagli elettrodomestici che bruciano gas o altri combustibili (tale avvertenza non è applicabile per cappe istallate in versione filtrante).

- Garantire una corretta aereazione della stanza se la cappa e altri apparecchi non alimentati da elettricità vengono utilizzati contemporaneamente.

- La pressione negativa massima nel locale non deve superare i 4 Pa (4×10^{-5} bar).

- La stanza in cui deve essere installata la cappa deve avere un ingresso di aria avente una portata maggiore a quella di scarico dalla cappa. È assolutamente vietato collocare gli arti o qualsiasi altra parte del corpo o del corpo umano, oggetti per la cottura o altri oggetti in prossimità dell'unità estraibile della cappa (se presente nella versione del prodotto).

- Le cappe aspiranti e altri aspiratori di fumi di cottura possono influire negativamente sul funzionamento sicuro degli apparecchi a gas o altri combustibili (compresi quelli in altre stanze) a causa del riflusso dei gas di combustione. Questi gas possono potenzialmente provocare avvelenamento da monossido di carbonio. Dopo l'installazione di una cappa aspirante o di un altro aspiratore di fumi di cottura, il funzionamento degli apparecchi a gas di scarico aperti deve essere testato da una persona competente per garantire che

non si verifichi il riflusso dei gas di combustione.

Per un impiego sicuro del prodotto e per conoscere tutte le caratteristiche e prestazioni:

- **Leggere attentamente il presente libretto di istruzione per l'uso prima dell'installazione e della prima messa in funzione.**
- **Attenzione soprattutto alle avvertenze per la sicurezza!**
- **E' consentito utilizzare l'apparecchio solo come descritto in questo libretto di istruzioni per l'uso.**
- **Conservare il manuale di istruzione.**
- **Se cedi l'apparecchio a terzi, consegnare anche il libretto di istruzione.**

Caro Cliente,

Vi ringraziamo per la vostra fiducia!

Congratulazioni per l'acquisto di questa nuova Cappa.

Per un impiego sicuro del prodotto e per conoscere tutte le caratteristiche e prestazioni:

- Leggere attentamente il presente libretto di istruzione per l'uso prima dell'installazione e della prima messa in funzione.
- Attenzione soprattutto alle avvertenze per la sicurezza!
- E' consentito utilizzare l'apparecchio solo come descritto in questo libretto di istruzioni per l'uso.
- Conservare il manuale di istruzione.
- Se cedi l'apparecchio a terzi, consegnare anche il libretto di istruzione.

INFORMAZIONI GENERALI

In caso di scambio di informazioni con il Costruttore dell'apparecchiatura fare riferimento al numero di serie ed ai dati identificativi riportati sulla targa dati del prodotto.

Apparecchiatura progettata, testata e realizzata nel rispetto delle norme sulla:

- Sicurezza: CEI/EN 60335-1; CEI/EN 60335-2-31;
 - Prestazione: CEI/EN 61591; CEI/EN 60704-1; CEI/EN 60704-2-13; EN 50564; CEI 62301.
- EMC: EN 55014-1; EN 55014-2; CEI/EN 61000-3-2; CEI/EN 61000-3-3.

Suggerimenti per un corretto utilizzo al fine di ridurre l'impatto ambientale: quando iniziate a cuocere, accendere la cappa a velocità minima, lasciandola accesa per alcuni minuti anche

dopo il termine della cottura. Aumentare la velocità solo in caso di grandi quantità di vapore e fumo, utilizzando la funzione booster solo in casi estremi. Per mantenere ben efficiente il filtro antigrasso, pulirlo in caso di necessità. Per ottimizzare l'efficienza e minimizzare i rumori, utilizzare il diametro massimo del sistema di canalizzazione indicato in questo manuale.”



Il simbolo sul prodotto o sulla documentazione di accompagnamento indica che questo prodotto non deve essere trattato come rifiuto domestico ma deve essere conferito presso un apposito centro di raccolta per il riciclaggio di apparecchiature elettriche ed elettroniche. Lo smaltimento corretto contribuisce a ridurre il consumo di materie prime e l'inquinamento ambientale. Per informazioni più dettagliate per il recupero e riciclaggio di questo prodotto, contattare l'ideale ufficio locale, il servizio di raccolta dei rifiuti domestici o il negozio dove è stato acquistato il prodotto.

Parti di ricambio

Impiegare esclusivamente parti di ricambio originali.

Non attendere che i componenti siano logorati dall'uso prima di procedere alla loro sostituzione. Eseguire i controlli periodici di manutenzione come indicato nel capitolo “MANUTENZIONE”.

Garanzia

L'Utente, per poter usufruire della garanzia fornita dal Costruttore, deve osservare scrupolosamente le prescrizioni indicate nel presente manuale, ed in particolare:

- operare sempre nei limiti d'impiego della cappa;
- effettuare sempre una costante e diligente manutenzione;
- autorizzare all'uso della cappa persone di provata capacità e attitudine.

L'inosservanza delle prescrizioni contenute in questo manuale implicherà l'immediata decadenza della garanzia.

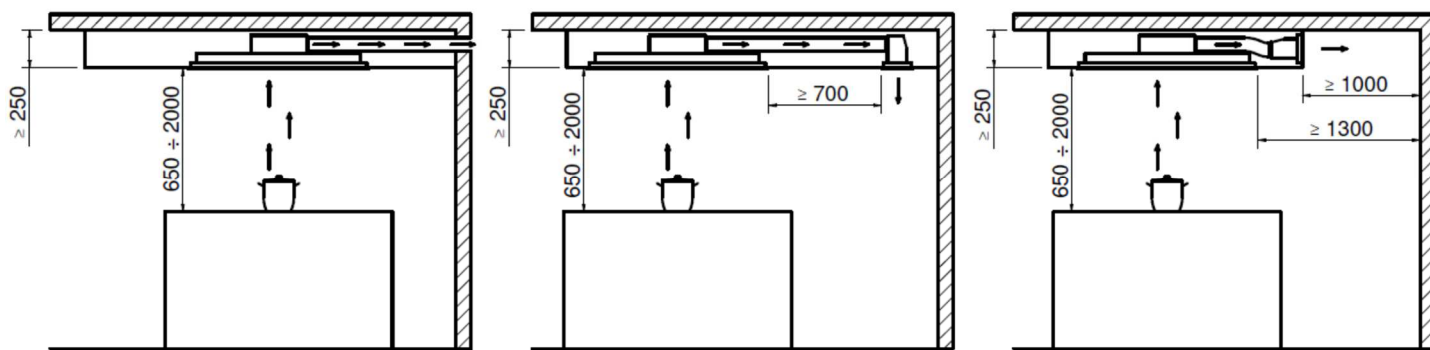
ISTRUZIONI PER L'INSTALLAZIONE

- **Le operazioni di montaggio e collegamento elettrico devono essere effettuate secondo queste istruzioni e da personale professionale specializzato.**
- **Prima di iniziare e per tutta la durata dell'installazione utilizzare guanti protettivi.**
- **Controllare che all'interno della cappa non ci siano materiali di corredo (libretti, dotazioni ect.), eventualmente toglierli e conservarli.**
- **Le illustrazioni riportate in questo libretto possono raffigurare un'estetica diversa del prodotto, comunque le istruzioni per l'installazione, l'uso e la manutenzione sono le stesse.**

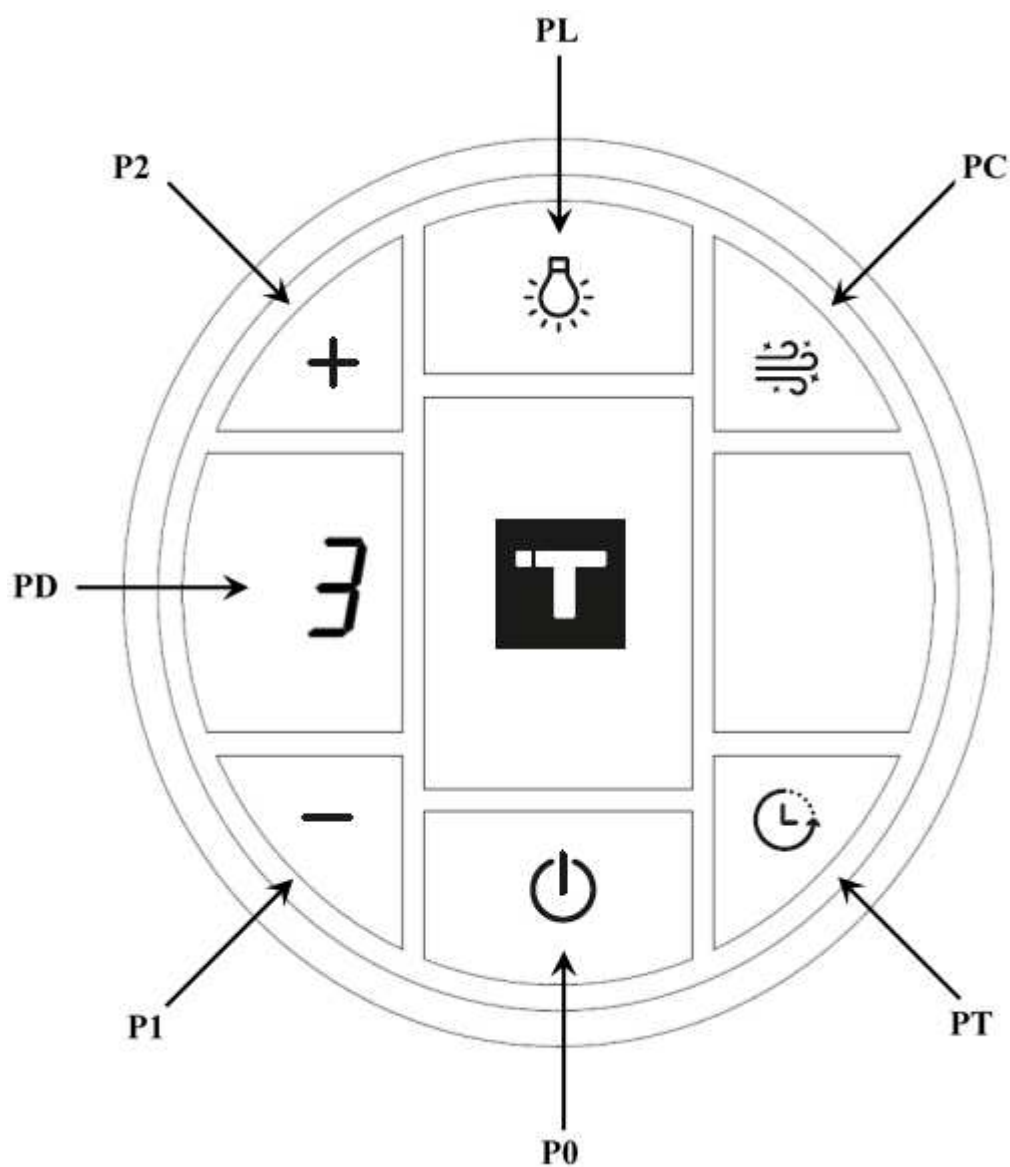
Distanza minima di sicurezza di installazione

La distanza tra un piano cottura elettrico e la parte inferiore della cappa deve essere di almeno **550 mm**, mentre tra un piano cottura a gas e la parte inferiore della cappa deve essere di almeno **650 mm**. La distanza di installazione consigliata tra cappa a soffitto e piano cottura è compresa tra 1300 e 1500 mm, mentre la distanza massima è 2000 mm.

Questa cappa è predisposta per essere installata a soffitto sia nella versione **ASPIRANTE** con evacuazione dei fumi all'esterno, sia nella versione **FILTRANTE** acquistando l'apposito kit (113290025).



ISTRUZIONE COMANDI



Il telecomando arriverà già programmato con la cappa, se per qualsiasi motivo il telecomando dovesse perdere la comunicazione con la cappa, eseguire la seguente procedura:

- togliere corrente alla cappa;
- attendere qualche secondo e ripristinare la corrente ed entro 10 secondi premere contemporaneamente il tasto "P1" e PT" per circa 3 secondi.

Il telecomando sarà di nuovo operativo.

FUNZIONI

P0: tasto ON/OFF MOTORE.

Se selezionato a motore spento il display visualizza uno zero "0" per circa 1 secondo.

P1: tasto per diminuire la velocità motore, se la cappa si trova in 1° velocità spegne il motore.

P2: tasto per aumentare la velocità motore, se la cappa è spenta accende la 1° velocità, premendo una seconda volta si attiva la 2° velocità, premendo una terza volta si attiva la 3° velocità, premendo una quarta volta si attiva la 4° velocità, premendo una quinta volta si attiva la 5° velocità (1° velocità intensiva) (**), premendo una sesta volta si attiva la 6° velocità (2° velocità intensiva) (**).

Sul display compaiono i numeri delle velocità selezionate ("1", "2", "3", "4", "5", "6").

(**) Velocità intensive: la durata delle velocità intensive è di 6 minuti al termine del quale l'elettronica torna in automatico in 4° velocità.

PL: tasto ON/OFF LUCI

Intensità Luminosa: premendo in maniera prolungata il tasto "PL" a luci accese, l'intensità della luce inizierà a scendere fino a raggiungere il valore minimo; rilasciando il pulsante s'interrompe la discesa dell'intensità luminosa. Una volta raggiunto il valore minimo e premendo nuovamente il tasto "PL" in maniera prolungata l'intensità luminosa inizierà ad aumentare fino a raggiungere il valore massimo; se rilasciato, si arresta, alla luminosità raggiunta.

Colore Luce: a cappa spenta e luci spente, premere in maniera prolungata il tasto "PL" fino all'accensione del led sulla cappa per entrare nel menù della luce dinamica. Con le singole pressioni del tasto "PL" si avrà la variazione della tonalità di colore della luce da 2700°K a 4000°K in 10 step. Una volta raggiunta la tonalità desiderata si dovrà attendere 10 secondi, il led sulla cappa smetterà di lampeggiare e la funzione verrà memorizzata.

PC: Tasto ON/OFF FRESH AIR

Attivazione/Disattivazione Fresh Air: Premendo una volta il pulsante "PC" si accede al menu della funzione Fresh Air/Clean Air. Successivamente, premendo ancora a lungo il tasto "PC" a cappa spenta si attiverà la funzione Fresh Air (comparirà una "C" sullo schermo). Questa funzione permette di accendere il motore alla **1° velocità per 10 minuti seguiti da 50 minuti di stand-by**. Questa opzione rimane attiva per un periodo di 24 ore. Per disattivare la funzione Fresh Air, premere nuovamente il tasto "PC" o "P0". Mentre la funzione è attiva, sia a motore acceso che in stand-by, il led cofano lampeggerà ogni 5 secondi.

Attivazione/Disattivazione Clean Air: Premendo una volta il pulsante "PC" si accede al menu della funzione Fresh Air/Clean Air. Successivamente, premendo ancora il tasto "PC" verrà attivata la funzione Clean Air (sul display compare una "C"). Quando questa funzione è attivata, il motore si porta alla **velocità massima per circa 6 minuti**, al termine dei 6 minuti il motore si spegnerà automaticamente. Per disattivare questa funzione, premere il tasto "PC" o il tasto "P0". Nota: questa funzione è attivabile solo a cappa accesa ed ha priorità su tutte le altre funzioni motorie attive.

PT: tasto TIMER (sul display appare una "T")

Il timer esegue un countdown di 15 minuti ed è attivabile solo con il motore in funzione.

La durata di 15 minuti non cambia anche se durante il countdown si cambiano le velocità.

Al termine dei 15 minuti il motore si spegne.

PD: Display

Attivazione/Disattivazione Buzzer: per default la cappa viene fornita con il buzzer attivo, qualora si voglia disattivare, a cappa spenta, accendere le luci premendo il tasto "PL", poi

premere prolungatamente i tasti “PT” e “P1” fino all’accensione del led cappa senza segnale acustico. Qualora si voglia riattivare ripetere l’operazione sopra descritta, per conferma si avrà l’accensione del led e l’emissione del segnale acustico.

Nota: Per il risparmio energetico della batteria, il display rimane attivo circa 4 secondi dopodiché si spegne, per visualizzare le funzioni attive selezionare qualsiasi tasto e il display si riattiva.

INDICAZIONE LED CAPPA

Nella scocca della cappa è presente un led che indica lo stato di funzionamento del motore in funzione alla velocità secondo questo criterio:

Motore OFF: LED spento;

Motore 1° Velocità colore LED Blu;

Motore 2° Velocità colore LED Verde;

Motore 3° Velocità colore LED Giallo;

Motore 4° Velocità colore LED Rosso;

Motore 5° Velocità (Intensiva) colore LED Magenta (Lampeggia con intermittenza di 1 secondo per 6 minuti per poi ritornare alla 4° velocità).

Motore 6° Velocità (Intensiva) colore LED Rosa (Lampeggia con intermittenza di 1 secondo per 6 minuti per poi ritornare alla 4° velocità).

Con l’attivazione del timer il LED del relativo colore, in funzione alla velocità impostata, lampeggia con intermittenza di 1 secondo, allo scadere dei 15 minuti, nelle velocità non intensive, si spegne il motore e non l’illuminazione. Per quanto riguarda invece le velocità intensive, all’attivazione del timer, per i primi 6 minuti rimane nella velocità impostata per poi terminare i restanti 9 minuti alla 4° velocità.

Nella funzione Clean Air il LED di colore Celeste rimane fisso, il motore passa alla 6° velocità e dopo 6 minuti si spegne il motore e non l’illuminazione.

Nella funzione Fresh Air il LED di colore Blu lampeggia con intermittenza di 5 secondi, a cappa spenta si accende il motore alla 1° velocità per 10 minuti per poi rimanere spento per 50 minuti e così di seguito fino al disinserimento della funzione.

Segnalazione pulizia filtri antigrasso metallici

Dopo 30 ore di funzionamento, il LED di colore Verde inizierà a lampeggiare per 20 secondi indicando di eseguire la pulizia dei filtri. Per eseguire il reset dei filtri, a cappa spenta, premere per 3 secondi il tasto “P0” durante il lampeggio del led.

Segnalazione pulizia filtri long-life o ceramici

Dopo 120 ore di funzionamento, il LED di colore Rosso inizierà a lampeggiare per 20 secondi indicando di eseguire la pulizia dei filtri. Per eseguire il reset dei filtri, a cappa spenta, premere per 3 secondi il tasto “P0” durante il lampeggio del led.

Ogni volta che viene premuto un tasto del telecomando la cappa emetterà un segnale acustico per confermare la ricezione del segnale.

MANUTENZIONE

ATTENZIONE! Prima di qualsiasi operazione di pulizia o manutenzione, togliere l'alimentazione alla cappa togliendo il cavo o scollegando l'interruttore generale dell'abitazione. La pulizia e la manutenzione ordinaria non devono essere eseguite da bambini senza sorveglianza.

Pulizia

Il prodotto va pulito frequentemente sia internamente che esternamente utilizzando un panno inumidito con acqua tiepida e detersivo liquido neutro non abrasivo.

I filtri antigrasso metallici

Ha il compito di trattenere le particelle di grasso dai fumi di cottura e preservare il motore dell'aspiratore, quindi è soggetto ad intasamento in tempi variabili in relazione all'utilizzo dell'apparecchio. I filtri possono essere lavati in lavastoviglie con cicli di lavaggio brevi e a basse temperature, al più tardi ogni 2 mesi per evitare il rischio di incendio. Dopo alcuni lavaggi il filtro potrebbe cambiare colore, a causa dei sali e dei detersivi della lavastoviglie. Il cambiamento di colore non pregiudica la funzionalità del filtro antigrasso.

Filtri Ceramici

Hanno il compito trattenere gli odori e di depurare l'aria che viene rimessa nell'ambiente. I filtri ceramici possono essere puliti in forno ad una temperatura di 180/200°C per circa 45/60 minuti. Sostituire i filtri ogni 5 anni oppure ogni volta che risultino danneggiati.

Illuminazione

La cappa è dotata di illuminazione basata su tecnologia LED ad alta efficienza, basso consumo e durata molto elevata in condizioni normali di utilizzo. Per la sostituzione rivolgersi al servizio di assistenza.

LA DITTA PRODUTTRICE non potrà ritenersi responsabile per eventuali danni provocati da un'installazione o un utilizzo improprio di questo apparecchio.

RISOLUZIONE DEI PROBLEMI - TROUBLESHOOTING

<i>PROBLEMA</i>	<i>POSSIBILI CAUSE</i>	<i>SOLUZIONI</i>
Le luci della cappa non si accendono	Connettore lampade staccato	Agganciare il connettore delle lampade come riportato a pag. 5, Fig. 5 del manuale d'uso
	L'interruttore on/off è in posizione 0	Portare l'interruttore on/off su posizione 1 come riportato a pag.4, Fig. 4 del manuale d'uso
	Non arriva corrente	Controllare il Driver delle luci
	Il telecomando non è sincronizzato	Sincronizzare il telecomando come riportato nel manuale d'uso da pag. 20

Non funziona il motore	Connettore staccato	Agganciare il connettore del motore come riportato a pag. 6, Fig. 7 del manuale d'uso
	Non arriva corrente	Controllare il Driver del motore
	Arriva corrente ma il motore non funziona	Sostituire il motore
Non funziona il telecomando	Batteria telecomando scarica	Sostituire batteria come riportato a pag. 12, Fig. 20 del manuale d'uso Fare attenzione ad inserire la batteria nella giusta polarità.
	Il telecomando non è sincronizzato alla cappa	Sincronizzare il telecomando come riportato nel manuale d'uso da pag. 20
	L'interruttore on/off è in posizione 0	Portare l'interruttore on/off su posizione 1 come riportato a pag.4, Fig. 4 del manuale d'uso
La cappa non funziona	Non arriva corrente	Controllare il cavo di alimentazione
	Il telecomando non è sincronizzato alla cappa	Sincronizzare il telecomando come riportato nel manuale d'uso da pag. 20
	Problemi all'impianto elettrico	Controllare l'alimentazione sulla scheda
	L'interruttore on/off è in posizione 0	Portare l'interruttore on/off su posizione 1 come riportato a pag.4, Fig. 4 del manuale d'uso
La cappa aspira poca aria	Filtri alluminio sporchi	Togliere i filtri come riportato a pag. 11, Fig. 17 del manuale d'uso e lavare i filtri
Il Led verde lampeggia per 20 secondi	Segnale di pulizia filtri antigrasso metallici	Per resettare i filtri, a cappa spenta, premere il tasto "P0" del telecomando per 3 secondi mentre il led lampeggia come riportato a pag. 22 del manuale d'uso.
Il Led rosso lampeggia per 20 secondi	Segnale di pulizia filtri a long-life o ceramici	Per resettare i filtri, a cappa spenta, premere il tasto "P0" del telecomando per 3 secondi mentre il led lampeggia come riportato a pag. 22 del manuale d'uso.

OSTRZEŻENIE DOTYCZĄCE BEZPIECZEŃSTWA

- To urządzenie zostało zaprojektowane do użytku domowego w środowisku domowym. Nigdy nie używaj urządzenia do użytku profesjonalnego lub przemysłowego.
- To urządzenie może być obsługiwane przez dzieci powyżej 8 roku życia oraz przez osoby z upośledzonymi zdolnościami fizycznymi, sensorycznymi i umysłowymi lub bez niezbędnego doświadczenia i kompetencji tylko pod odpowiednim nadzorem i po otrzymaniu odpowiednich instrukcji dotyczących bezpiecznego użytkowania urządzenia i poinformowany o potencjalnych zagrożeniach i ostrzeżeniach.
- Dzieci nie mogą bawić się urządzeniem.
- Należy ściśle przestrzegać instrukcji bezpieczeństwa i ostrzeżeń zawartych w instrukcji obsługi.
- Uwaga: niestosowanie śrub i urządzeń mocujących zgodnie z instrukcją określonych w niniejszej instrukcji, może spowodować ryzyko porażenia prądem elektrycznym.
- Urządzenie nie powinno być używane przez osoby (w tym dzieci) z upośledzonymi zdolnościami fizycznymi, sensorycznymi i umysłowymi lub bez niezbędnego doświadczenia i kompetencji, chyba że zostały odpowiednio nadzorowane i poinstruowane.
- Dokładne czyszczenie urządzenia po każdym użyciu jest bardzo ważne, ponieważ brak regularnego czyszczenia

może spowodować ryzyko pożaru.

- Upewnij się, że wszystkie elementy urządzenia nie są uszkodzone. W takim przypadku nie przeprowadzaj instalacji i skontaktuj się z wykwalifikowanym centrum pomocy technicznej.

- Wykwalifikowani instalatorzy wykonają wszelkie niezbędne prace ciesielskie i instalacyjne w pełnej zgodności z obowiązującymi dyrektywami.

- Nie podłączaj urządzenia do sieci elektrycznej podczas instalacji.

- Odłącz urządzenie od zasilania przed przystąpieniem do jakichkolwiek czynności związanych z czyszczeniem lub konserwacją.

- Konieczność odłączenia urządzenia od zasilania sieciowego po instalacji za pomocą dostępnej wtyczki lub wyłącznika głównego.

- Nie należy używać odkurzacza parowego.

- Nie używaj ostrych materiałów ściernych ani ostrych metalowych skrobaków do czyszczenia szkła, ponieważ mogą zarysować powierzchnię, co może spowodować pęknięcie szkła.

- UWAGA: Przed wymianą lampy upewnij się, że urządzenie jest odłączone (OFF), aby uniknąć porażenia prądem.

- Nie zdejmuj ochronnego plastiku z okapu, dopóki nie zostanie on całkowicie zainstalowany, jeśli ten plastik nie

znajduje się w obszarach, które mogą stwarzać ryzyko uszkodzenia podczas instalacji. Pozwoli to uniknąć uszkodzenia zewnętrznej części urządzenia, co nie jest objęte gwarancją.

OSTRZEŻENIA DOTYCZĄCE POŁĄCZENIA ELEKTRYCZNEGO

- Połączenia elektryczne powinny być zatwierdzone przez wykwalifikowanego elektryka przed użyciem urządzenia.
- Podłączenie elektryczne powinien wykonać tylko jeden wykwalifikowany elektryk, który będzie odpowiedzialny za prawidłowe podłączenie elektryczne urządzenia do zasilania.
- Przed podłączeniem urządzenia do sieci elektrycznej należy sprawdzić, czy wartości napięcia, częstotliwości i mocy podane na tabliczce znamionowej urządzenia są kompatybilne z domowym zasilaniem i gniazdkiem.
- Przewód zasilający należy podłączyć do wielobiegunowego wyłącznika magnetotermicznego z przerwą między stykami co najmniej 3 mm.
- W przypadku uszkodzenia przewodu zasilającego, powinien on zostać wymieniony przez producenta, serwis techniczny lub wyspecjalizowany personel.
- Przewód zasilający nie może stykać się z powierzchniami, których temperatura przekracza 50°C po zainstalowaniu urządzenia.

OSTRZEŻENIA DOTYCZĄCE OBSŁUGI

- W pomieszczeniu musi być zapewniona dogodna wentylacja, jeśli jednocześnie używany jest okap nadkuchenny i urządzenia zasilane gazem lub innym paliwem.
- Jeżeli okap jest używany jednocześnie z urządzeniami spalającymi gaz lub inne paliwa, pomieszczenie musi mieć odpowiednią wentylację (to ostrzeżenie nie dotyczy okapów montowanych w wersji filtrującej).
- Przestrzegać wszelkich obowiązujących norm lokalnych dotyczących operacji wywiewu powietrza.
- Jeśli urządzenie jest używane w trybie recyrkulacji, upewnij się, że kurz wylotowy jest w dobrym stanie na wypadek, gdyby nie był używany przez długi czas.
- Nie wolno gotować potraw na otwartym ogniu (flambe) pod okapem.
- Nigdy nie zostawiaj garnków bez nadzoru, gdy płyta jest włączona: olej zawarty w garnku może się przegrzać i spalić. Ryzyko pożaru jest znacznie wyższe, gdy używany jest olej.
- Właściwa konserwacja filtrów tłuszczu i dokładne czyszczenie są niezwykle ważne.
- Regularnie czyścić okap i inne powierzchnie, aby uniknąć ryzyka pożaru.
- UWAGA: gdy płyta jest włączona, dostępne części okapu mogą się nagrzewać.

- Niedopuszczalne jest podłączanie urządzenia wywiewnego do kanałów lub kanałów wywiewnych i rur do wentylacji pomieszczeń.
- Wywiewane powietrze nie może być kierowane do kanału cyrkulacji gorącego powietrza.
- Powietrze nie powinno być odprowadzane do przewodu kominowego, w którym odprowadzane są spaliny z urządzeń AGD zasilanych gazem lub innymi paliwami (nie dotyczy to okapów pracujących w trybie recyrkulacji).
- Odpowiednio przewietrzyć pomieszczenie przy okapie kuchennym i innych
- Maksymalne podciśnienie w pomieszczeniu nie powinno przekraczać 4 Pa (4×10^{-5} bar).
- Pomieszczenie, w którym montowany jest okap, powinno być wyposażone w czerpnię powietrza o przepustowości większej niż wyrzutnia okapu. Surowo zabrania się umieszczania kończyn lub jakiegokolwiek innej części ciała ludzkiego, a także przedmiotów do gotowania lub innych przedmiotów w pobliżu wyciąganej części okapu (jeśli Twoje urządzenie jest w nią wyposażone).
- Okapy nadkuchenne i inne wyciągi oparów kuchennych mogą niekorzystnie wpływać na bezpieczną pracę urządzeń spalających gaz lub inne paliwa (w tym znajdujących się w innych pomieszczeniach) z powodu wstecznego przepływu spalin. Gazy te mogą potencjalnie spowodować zatrucie

tlenkiem węgla. Po zainstalowaniu okapu nadkuchennego lub innego wyciągu oparów kuchennych, kompetentna osoba powinna przetestować działanie urządzeń z otwartymi spalinami, aby upewnić się, że nie występuje przepływ wsteczny gazów spalinowych.

Aby zapewnić bezpieczne użytkowanie produktu i poznać wszystkie funkcje i właściwości:

- **Przed instalacją i uruchomieniem należy uważnie przeczytać niniejszą instrukcję obsługi.**
- **Zwróć szczególną uwagę na ostrzeżenia dotyczące bezpieczeństwa!**
- **Urządzenie może być używane wyłącznie w sposób opisany w niniejszej instrukcji obsługi.**
- **Zachowaj instrukcję obsługi.**
- **Jeśli przekazujesz urządzenie osobie trzeciej, przekaz również instrukcję obsługi.**

Szanowny Kliencie,

Dziękujemy za wybranie nas!

Gratulujemy zakupu nowego okapu kuchennego.

Aby bezpiecznie korzystać z urządzenia i lepiej poznać wszystkie jego funkcje i możliwości:

- Przeczytaj uważnie niniejszą instrukcję obsługi przed zainstalowaniem i włączeniem urządzenia.
- Należy zwrócić szczególną uwagę na ostrzeżenia dotyczące bezpieczeństwa!
- Urządzenie powinno być używane wyłącznie zgodnie z instrukcjami podanymi w niniejszej instrukcji obsługi.
- Zachowaj tę instrukcję obsługi do dalszego użytku.
- W przypadku przekazania urządzenia osobie trzeciej należy również przekazać instrukcję obsługi.

INFORMACJE OGÓLNE

W przypadku wymiany informacji z PRODUCENTEM urządzenia należy kierować się numerem seryjnym i danymi identyfikacyjnymi podanymi na tabliczce znamionowej. To urządzenie zostało zaprojektowane, przetestowane i wyprodukowane w pełnej zgodności z odpowiednimi normami dotyczącymi:

- Bezpieczeństwo: CEI/EN 60335-1; CEI/EN 60335-2-31;
 - Wydajność: CEI/EN 61591; CEI/EN 60704-1; CEI/EN 60704-2-13; EN 50564; CEI 62301.
- EMC: EN 55014-1; EN 55014-2; CEI/EN 61000-3-2; CEI/EN 61000-3-3.

Zalecenia dotyczące prawidłowego użytkowania urządzenia w celu zmniejszenia wpływu na środowisko: po rozpoczęciu gotowania włącz okap na minimalnej prędkości i wyłącz go dopiero po kilku minutach od zakończenia gotowania. Zwiększaj prędkość okapu tylko w przypadku dużej ilości oparów i oparów, a funkcji booster używaj tylko wtedy, gdy jest to absolutnie konieczne. Filtr przeciw tłuszczowy należy czyścić tylko wtedy, gdy jest to konieczne, aby zachować jego skuteczność przez długi czas. Użyj systemu rur o maksymalnej średnicy określonej w niniejszej instrukcji, aby zwiększyć wydajność i zmniejszyć poziom hałasu.



Symbol na urządzeniu lub w jego dokumentacji wskazuje, że produkt ten nie powinien być traktowany jako odpad domowy, ale należy go przekazać do określonego punktu zbiórki sprzętu elektrycznego i elektronicznego. Właściwa utylizacja tego urządzenia pomoże zmniejszyć zużycie surowców i zanieczyszczenie środowiska. Aby uzyskać bardziej szczegółowe informacje na temat recyklingu tego urządzenia, skontaktuj się z lokalnym urzędem miasta, firmą zajmującą się utylizacją odpadów domowych lub sklepem, w którym zakupiono urządzenie.

Części zamienne

Używaj tylko oryginalnych części zamiennych.

Wymień elementy, zanim się zużyją. Przeprowadzaj regularne kontrole konserwacyjne, jak opisano w rozdziale „KONSERWACJA”.

Gwarancja

W celu skorzystania z Gwarancji PRODUCENTA użytkownicy zobowiązani są do ścisłego przestrzegania wszystkich instrukcji zawartych w niniejszej instrukcji, w szczególności do:

- używać okapu tylko zgodnie z jego przeznaczeniem;
- wykonywać ciągłe i skrupulatne czynności konserwacyjne;
- zezwalać na użytkowanie okapu tylko osobom o sprawdzonych umiejętnościach i know-how.

Nieprzestrzeganie instrukcji zawartych w niniejszej instrukcji spowoduje natychmiastowe unieważnienie gwarancji producenta.

INSTRUKCJE INSTALACJI

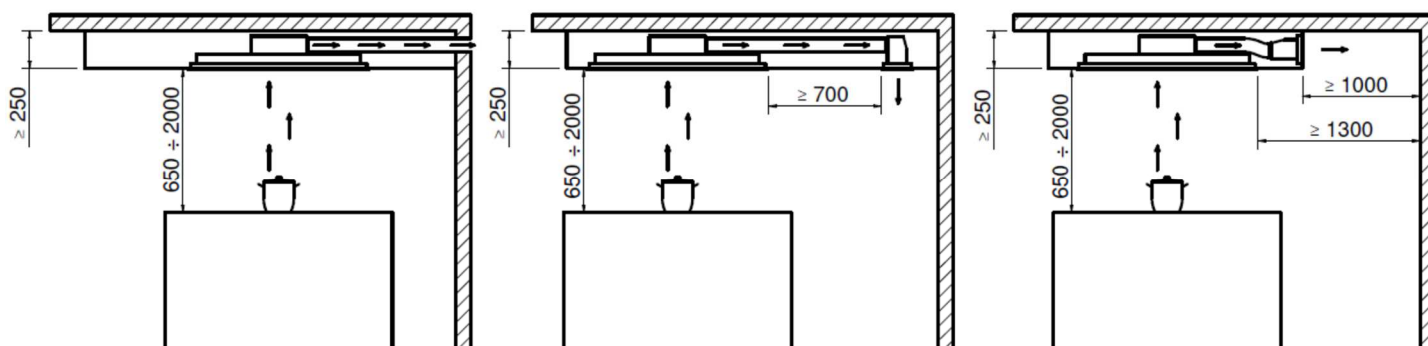
- Czynności instalacyjne i podłączenia elektryczne powinny być wykonywane zgodnie z niniejszą instrukcją oraz przez wykwalifikowany i wyspecjalizowany personel.
- Przed i podczas instalacji nosić rękawice ochronne.
- Sprawdź, czy żadne akcesoria dostarczone z urządzeniem (instrukcje, akcesoria itp.) nie znajdują się wewnątrz okapu: w takim przypadku usuń je i zachowaj.
- Liczby przedstawione w niniejszej instrukcji instalacji mogą również odnosić się do innej estetyki urządzenia: w każdym przypadku instrukcje użytkownika, instalacji i konserwacji pozostają takie same.

Minimalna bezpieczna odległość instalacji

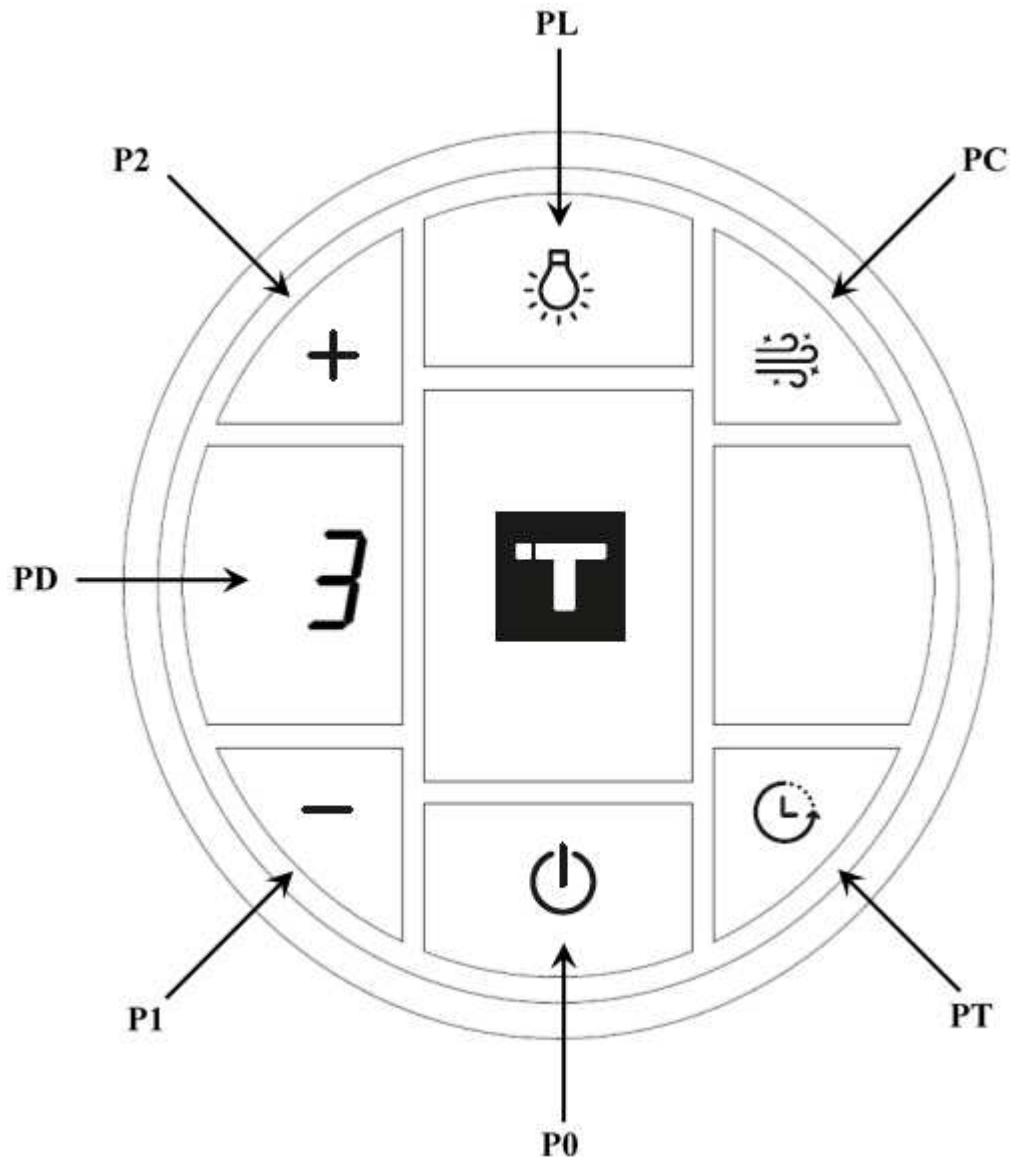
Odległość między płytą elektryczną a dolną częścią okapu musi wynosić co najmniej 550 mm, natomiast między płytą gazową a dolną częścią okapu musi wynosić co najmniej 650 mm.

Zalecana odległość montażowa między okapem sufitowym a płytą grzewczą wynosi od 1300 do 1500 mm, natomiast maksymalna odległość to 2000 mm.

Okap ten przeznaczony jest do montażu na suficie zarówno w wersji **ZASYSAJĄCEJ** z odprowadzaniem spalin na zewnątrz jak iw wersji **FILTRUJĄCEJ** po dokupieniu odpowiedniego zestawu (113290025).



INSTRUKCJA STEROWANIA



Pilot dotrze już zaprogramowany z okapem, jeśli z jakiegoś powodu pilot utraci komunikację z okapem, wykonaj następującą procedurę:

- Odłączyć okap od zasilania;
- Odczekaj kilka sekund i przywróć zasilanie iw ciągu 10 sekund naciśnij jednocześnie przyciski "P1" i "PT" na około 3 sekundy.

Pilot znów będzie działał.

FUNKCJE

P0: klawisz WŁ./WYŁ. SILNIKA.

W przypadku wyboru przy wyłączonym silniku wyświetlacz pokazuje zero „0” przez około 1 sekundę.

P1: przycisk do zmniejszania prędkości silnika, jeśli okap jest na 1. prędkości, wyłącza silnik.

P2: przycisk do zwiększania prędkości silnika, jeśli okap jest wyłączony włącza 1 prędkość, drugie naciśnięcie włącza 2 prędkość, trzecie naciśnięcie włącza 3 prędkość, czwarte naciśnięcie włącza 4 prędkość, naciśnięcie a piąty raz aktywuje 5 prędkość (1. prędkość intensywna) (**), szóste naciśnięcie aktywuje 6 prędkość (2. prędkość intensywna) (**).

Numery wybranych prędkości pojawiają się na wyświetlaczu ("1", "2", "3", "4", "5", "6").

(**) Prędkości intensywne: czas trwania prędkości intensywnych wynosi 6 minut, po czym elektronika automatycznie powraca do 4. prędkości.

PL: klawisz WŁĄCZ / WYŁĄCZ ŚWIATŁA

Intensywność światła: po długim naciśnięciu przycisku „PL” przy włączonych światłach intensywność światła zacznie się zmniejszać, aż osiągnie wartość minimalną; zwolnienie przycisku przerywa opadanie natężenia światła. Po osiągnięciu wartości minimalnej i ponownym naciśnięciu przycisku „PL” przez dłuższy czas, intensywność światła zacznie rosnąć, aż osiągnie wartość maksymalną; jeśli zostanie zwolniony, zatrzymuje się na osiągniętej jasności.

Kolor światła: przy wyłączonym kapturze i wyłączonych światłach naciśnij i przytrzymaj przycisk „PL”, aż dioda LED na osłonie zaświeci się, aby wejść do menu dynamicznego światła. Pojedynczymi naciśnięciami klawisza „PL” będziesz mieć zmianę odcienia koloru światła od 2700 ° K do 4000 ° K w 10 krokach. Po osiągnięciu żądanego sygnału należy odczekać 10 sekund, dioda LED na okapie przestanie migać, a funkcja zostanie zapamiętana.

PC: klawisz WŁ./WYŁ. ŚWIEŻEGO POWIETRZA

Aktywacja/dezaktywacja świeżego powietrza: Jednokrotne naciśnięcie przycisku „PC” powoduje przejście do menu funkcji Świeże powietrze/Czyste powietrze. Następnie ponowne długie naciśnięcie przycisku „PC” przy wyłączonym okapie włączy funkcję Świeżego Powietrza (pojawi się „C” na ekranie). Ta funkcja pozwala na włączenie silnika **na 1. prędkości na 10 minut, a następnie na 50 minut czuwania**. Ta opcja pozostaje aktywna przez okres 24 godzin. Aby dezaktywować funkcję Fresh Air, ponownie naciśnij przycisk „PC” lub „P0”. Gdy funkcja jest aktywna, zarówno przy pracującym silniku, jak iw stanie czuwania, dioda LED na masce będzie migać co 5 sekund.

Aktywacja/dezaktywacja czystego powietrza: Jednokrotne naciśnięcie przycisku „PC” powoduje wejście do menu funkcji Świeże powietrze/Czyste powietrze. Następnie, naciskając „PC”, gdy funkcja czystego powietrza zostanie aktywowana (na wyświetlaczu pojawi się „C”).

Gdy ta funkcja jest aktywna, silnik jest ustawiony na **maksymalną prędkość przez około 6 minut**, po upływie 6 minut silnik wyłączy się automatycznie.

Aby wyłączyć tę funkcję, naciśnij klawisz „PC” lub „P0”.

Uwaga: ta funkcja może być aktywowana tylko przy włączonym okapie i ma pierwszeństwo przed wszystkimi innymi aktywnymi funkcjami silnika.

PT: przycisk TIMER (na wyświetlaczu pojawi się „T”)

Timer odlicza 15 minut i można go aktywować tylko przy pracującym silniku.

Czas trwania 15 minut nie zmienia się, nawet jeśli prędkości zostaną zmienione podczas odliczania. Pod koniec 15 minut silnik zatrzymuje się.

PD: Wyświetlacz

Aktywacja / dezaktywacja brzęczyka: domyślnie okap jest dostarczany z aktywnym brzęczykiem, jeśli chcesz dezaktywować, przy wyłączonym okapie, włącz światła, naciskając przycisk „PL”, a następnie naciśnij i przytrzymaj „PT” i „P1 ” aż do włączenia się diody okapu bez sygnału akustycznego. Jeśli chcesz reaktywować, powtórz czynność opisaną powyżej, dioda LED zaświeci się i wyemitowany zostanie sygnał dźwiękowy potwierdzający.

Uwaga: Aby oszczędzać baterię, wyświetlacz pozostaje aktywny przez około 4 sekundy, po

czym wyłącza się, aby wyświetlić aktywne funkcje należy wybrać dowolny klawisz i wyświetlacz zostanie ponownie włączony.

SYGNALIZACJA LED OKAPU

W korpusie okapu znajduje się dioda LED, która wskazuje stan pracy silnika pracującego z prędkością zgodnie z następującymi kryteriami:

Silnik wyłączony: dioda wyłączona;

1. prędkość silnika Kolor niebieskiej diody LED;

2 bieg silnika Zielony kolor diody LED;

Silnik 3. prędkości Żółty kolor diody LED;

4-ta prędkość silnika Kolor czerwonej diody LED;

Silnik 5-tej prędkości (Intensywny) Kolor diody Magenta (Miga z przerwami przez 1 sekundę przez 6 minut, a następnie powraca do 4-tej prędkości).

Silnik 6-tej prędkości (intensywny) Różowy kolor diody LED (miga z przerwami przez 1 sekundę przez 6 minut, a następnie powraca do 4-tej prędkości).

Po włączeniu timera odpowiednia kolorowa dioda LED, w zależności od ustawionej prędkości, miga z przerwami przez 1 sekundę, pod koniec 15 minut, przy nieintensywnych prędkościach wyłącza się silnik, a nie oświetlenie. Jeśli chodzi o prędkości intensywne, gdy timer jest włączony, pozostaje on na ustawionej prędkości przez pierwsze 6 minut, a następnie kończy pozostałe 9 minut na 4 prędkości.

W funkcji Clean Air jasnoniebieska dioda LED świeci światłem ciągłym, silnik przełącza się na 6. prędkość i po 6 minutach wyłącza się silnik, a nie oświetlenie.

W funkcji Fresh Air niebieska dioda LED miga z przerwami przez 5 sekund, przy wyłączonej masce silnik uruchamia się na 1. prędkości przez 10 minut, a następnie pozostaje wyłączony przez 50 minut i tak dalej, aż funkcja zostanie wyłączona.

Sygnal czyszczenia metalowego filtra przeciwłuszczowego

Po 30 godzinach pracy zielona dioda LED zacznie migać przez 20 sekund, wskazując konieczność wyczyszczenia filtrów. Aby zresetować filtry, przy wyłączonym okapie, naciśnij przycisk „P0” przez 3 sekundy, podczas gdy dioda LED miga.

Sygnal czyszczenia filtra o przedłużonej żywotności lub ceramiczny

Po 120 godzinach pracy czerwona dioda zacznie migać przez 20 sekund, wskazując konieczność wyczyszczenia filtrów. Aby zresetować filtry, przy wyłączonym okapie, naciśnij przycisk „P0” przez 3 sekundy, podczas gdy dioda LED miga.

Po każdym naciśnięciu przycisku na pilocie, okap wyemituje sygnał dźwiękowy potwierdzający odbiór sygnału.

UTRZYMANIE

OSTRZEŻENIE! Przed jakimkolwiek czyszczeniem lub konserwacją należy odłączyć okap od zasilania poprzez odłączenie kabla lub odłączenie głównego wyłącznika w domu. Dzieci nie mogą bez nadzoru czyścić i konserwować.

Czyszczenie

Produkt należy często czyścić zarówno od wewnątrz, jak i od zewnątrz za pomocą ściereczki zwilżonej letnią wodą i neutralnym, nieściernym płynnym detergentem.

Metalowe filtry przeciw tłuszczowe

Ma za zadanie zatrzymywanie cząstek tłuszczu z oparów kuchennych oraz zachowanie silnika aspiratora, dzięki czemu podlega zapychaniu w różnych czasach w zależności od użytkowania urządzenia. Filtry można myć w zmywarce przy krótkich cyklach zmywania iw niskich temperaturach, najpóźniej co 2 miesiące, aby uniknąć ryzyka pożaru. Po kilku praniach filtr może zmienić kolor z powodu soli do zmywarek i detergentów. Zmiana koloru nie wpływa na funkcjonalność filtra tłuszczu.

Filtry ceramiczne

Mają za zadanie zatrzymywanie zapachów i oczyszczanie powietrza, które powraca do otoczenia. Filtry ceramiczne można czyścić w piekarniku w temperaturze 180/200°C przez około 45/60 minut. Zaleca się wymianę filtrów ceramicznych co 5 lat, aby zapewnić najlepszą eliminację zapachów.

Oświetlenie

Okap wyposażony jest w oświetlenie oparte na wysokowydajnej technologii LED, niskim zużyciu energii i bardzo wysokiej trwałości w normalnych warunkach użytkowania. W celu wymiany skontaktuj się z działem serwisu.

PRODUCENT FIRMY nie ponosi odpowiedzialności za jakiegokolwiek szkody spowodowane nieprawidłową instalacją lub użytkowaniem tego urządzenia.

ROZWIĄZYWANIE PROBLEMÓW

PROBLEM	MOŻLIWE PRZYCZYNY	ROZWIĄZANIA
Oświetlenie okapu kuchennego nie włącza się	Złącze lampy jest odłączone	Podłączyć złącze lampy, jak pokazano na stronie 5, rys. 5 instrukcji
	Włącznik/wyłącznik jest w pozycji 0	Ustaw włącznik/wyłącznik w pozycji 1, jak pokazano na stronie 4, Zdjęcie 4 instrukcji obsługi
	Brak elektryczności	Sprawdź sterownik oświetlenia
	Pilot nie jest zsynchronizowany	Zsynchronizuj pilota zgodnie z opisem w instrukcji obsługi od strony 20

Silnik nie działa	Odłączone złącze	Podłącz złącze silnika, jak pokazano na stronie 6, Zdjęcie 7 instrukcji obsługi
	Brak elektryczności	Sprawdź sterownik silnika
	Dopływa prąd, ale silnik nie działa	Wymień silnik
Pilot nie działa	Niski poziom naładowania baterii pilota	Wymień baterię jak pokazano na stronie 12, Zdjęcie 20 instrukcji obsługi. Upewnij się, że bateria jest włożona z właściwą polaryzacją.
	Pilot nie jest zsynchronizowany z okapem	Zsynchronizuj pilota zgodnie z opisem w instrukcji obsługi od strony 20
	Włącznik/wyłącznik jest w pozycji 0	Ustaw włącznik/wyłącznik w pozycji 1, jak pokazano na stronie 4, Zdjęcie 4 instrukcji obsługi
Kaptur nie działa	Brak elektryczności	Sprawdź kabel zasilający
	Pilot nie jest zsynchronizowany z okapem	Zsynchronizuj pilota zgodnie z opisem w instrukcji obsługi od strony 20
	Problemy z układem elektrycznym	Sprawdź zasilanie na płycie elektronicznej
	Włącznik/wyłącznik jest w pozycji 0	Ustaw włącznik/wyłącznik w pozycji 1, jak pokazano na stronie 4, Zdjęcie 4 instrukcji obsługi
Kaptur zasysa mało powietrza	Zabrudzone filtry aluminiowe	Wyjąć filtry jak pokazano na stronie 11, Zdjęcie 17 instrukcji obsługi i umyć filtry.
Zielona dioda LED miga przez 20 sekund	Wskaźnik czyszczenia metalowego filtra przeciwłuszczonego	Zresetuj filtry, gdy okap jest wyłączony, naciskając przycisk „P0” na pilocie przez 3 sekundy, podczas gdy dioda LED miga, jak pokazano na stronie 22 instrukcji obsługi.
Czerwona dioda LED miga przez 20 sekund	Wskaźnik trwałego lub ceramicznego czyszczenia filtra	Zresetuj filtry, gdy okap jest wyłączony, naciskając przycisk „P0” na pilocie przez 3 sekundy, podczas gdy dioda LED miga, jak pokazano na stronie 22 instrukcji obsługi.

تحذيرات السلامة

- هذا الجهاز مصمم للاستخدام في الأغراض المنزلية في البيئة المنزلية. لا تستخدم الجهاز مطلقاً في الأغراض الاحترافية أو الصناعية.
- يمكن تشغيل الجهاز من قبل الأطفال الذين تجاوزوا 8 سنوات والأشخاص الذين يعانون من انخفاض القدرات البدنية، أو الحسية أو العقلية أو الذين تنقصهم الخبرة والكفاءة الضرورية فقط إذا كانوا يخضعون للإشراف المناسب أو يتلقوا التوجيهات اللازمة بشأن الاستخدام الآمن وتم اطلاعهم بالمخاطر المحتملة ذات الصلة والتحذيرات.
- يحظر على الأطفال اللعب بالجهاز.
- ينبغي اتباع تعليمات السلامة والتحذيرات الموضحة في دليل المستخدم هذا بدقة.
- تحذير: قد يترتب عن الإخفاق في استخدام البراغي وأدوات التثبيت وفقاً للتعليمات الموضحة في هذا الدليل حدوث صدمة كهربائية.
- يحظر استخدام الجهاز من قبل الأشخاص (بما في ذلك الأطفال) الذين يعانون من ضعف القدرات البدنية، والحسية والعقلية والذين تنقصهم الخبرة والكفاءة الضرورية ما لم يخضعوا للإشراف أو يتلقوا التعليمات المناسبة.
- من الهام للغاية تنظيف الجهاز بعناية بعد كل استخدام، حيث قد يترتب عن عدم الالتزام بالمداومة على التنظيف خطر الحريق.

- تأكد أن جميع مكونات الجهاز لم تتعرض للتلف. في هذه الحالة، لا تقم بالتركيب واتصل بمركز مساعدة تقنية معتمدة.
- سيقوم فنيو التركيب المعتمدون بجميع أعمال النجارة والتركيب الضرورية مع الامتثال التام للتوجيهات السارية.
- لا توصل الجهاز بشبكة كهربائية أثناء التركيب.
- افصل الجهاز عن إمدادات الطاقة قبل إجراء أي أعمال تنظيف أو صيانة.
- يجب فصل الجهاز من إمدادات الكهرباء بعد التركيب، وذلك بقابس يمكن الوصول إليه أو مفتاح الكهرباء.
- ينبغي عدم اللجوء إلى التنظيف بالبخار.
- لا تستخدم منظفات كاشطة قاسية أو كاشطات معدنية حادة لتنظيف الزجاج حتى لا تخدش السطح، مما قد يؤدي إلى تحطم الزجاج.
- تنبيه: تأكد أنه تم فصل الجهاز (مطفاً) قبل استبدال المصباح لتجنب احتمال حدوث صدمة كهربائية.
- لا تنزع طبقة البلاستيك الواقية من الشفاط حتى يتم تركيبه بالكامل، في حالة عدم وجود هذا البلاستيك بالمناطق التي يحتمل أن تتعرض للتلف أثناء التركيب. وذلك تجنباً لتعريض الجانب الخارجي من الجهاز للتلف، وهو أمر لا يغطيه الضمان.

تحذيرات التوصيل الكهربائي

- يجب أن يعتمد فني كهربائي مؤهل التوصيلات الكهربائية قبل استخدام الجهاز.
- يقوم بالتوصيل الكهربائي فني كهربائي مؤهل واحد فقط، ويكون مسؤولاً عن توصيل الجهاز بإمدادات الطاقة.
- قبل توصيل الجهاز بالشبكة الكهربائية، تأكد أن الجهد الكهربائي، والاهتزاز وقيم الطاقة الموضحة على ملصق التقدير للجهاز متوافقة مع إمدادات الطاقة المنزلية والمقبس.
- يجب توصيل سلك الكهرباء بقاطع مغنيطي حراري متعدد الأقطاب بفرجة تلامس للمفتاح لا تقل عن 3 مم.
- في حالة تلف سلك الكهرباء، يجب استبداله إما من قبل الشركة المصنعة أو خدمة المساعدة التقنية أو عاملين مختصين.
- لا ينبغي أن يتلامس سلك الكهرباء مع الأسطح التي تتجاوز درجة حرارتها 50 درجة مئوية بعد تركيب الجهاز.

تحذيرات التشغيل

- يجب توفير تهوية ملائمة بالغرفة إذا كان سيتم تشغيل شفاط مطبخ وأجهزة تعمل بالغاز أو نوع وقود آخر في نفس الوقت.
- في حالة تشغيل الشفاط في نفس الوقت مع أجهزة تعمل بالغاز أو أنواع وقود أخرى، يجب أن يتوافر بالغرفة التهوية الكافية (لا ينطبق هذا التحذير على الشفاطات من النمط المزود بالمرشحات).

- ينبغي الامتثال لجميع المعايير المحلية المعمول بها المعنية بالعمليات التي تخلف هواء العادم.
- في حالة استخدام الجهاز في وضع إعادة الدوران، تأكد أن أنبوب العادم في حالة جيدة في حالة أنه لم يستخدم لفترات طويلة.
- لا يُسمح بالطهي على اللهب المفتوح (فلامبيه) تحت الشفاط.
- لا تترك الأواني مطلقاً بدون إشراف عندما يكون الموقد على وضع التشغيل: حيث من الممكن أن يسخن الزيت في الأواني بدرجة مفرطة ويحترق. يرتفع احتمال نشوب الحرائق عند استخدام الزيت.
- من الهام للغاية إجراء صيانة ملائمة لمرشحات الدهون وتنظيفها بالشكل الصحيح.
- داوم على تنظيف الشفاط والأسطح الأخرى، وذلك تجنباً لمخاطر اندلاع الحرائق.
- تنبيه: عندما يكون الموقد على وضع التشغيل، قد تصبح الأجزاء التي يمكن الوصول إليها ساخنة.
- لا يُسمح بتركيب أداة صرف العادم بأنابيب العادم أو قنوات ومواسير لتهوية الغرفة.
- لن يُوجه الهواء المستخلص إلى أنبوب دوران الهواء الساخن.
- لن يُصرف الهواء في أنبوب المدخنة المستخدم للأدخنة من الأجهزة المنزلية التي تعمل بالغاز أو أنواع وقود أخرى (لا ينطبق هذا في حالة الشفاطات التي عمل على وضع إعادة الدوران).

- وفر للغرفة التهوية المناسبة عند استخدام شفط البوتاجاز و
- لا ينبغي أن يتجاوز الحد الأقصى للضغط السلبي في الغرفة 4 باسكال (4 × 10 - 5 بار).

- يجب توفير مدخل هواء بالغرفة التي جاري تركيب الشفط بها، ويكون بسعة تتجاوز سعة أداة صرف العادم للشفط. ممنوع منعاً باتاً وضع الأطراف أو أي أجزاء أخرى من جسم الإنسان، وكذلك أغراض الطهي أو أي أغراض أخرى، بالقرب من الوحدة القابلة للخلع من الشفط (إذا كان الجهاز مزوداً بها).

- قد تؤثر شفطات المطبخ ومستخرجات دخان الطهي الأخرى سلباً على سلامة تشغيل الأجهزة التي تعمل بالغاز أو أنواع الوقود الأخرى (بما في ذلك تلك التي في الغرف الأخرى) نظراً للتدفق الخلفي لغازات الاحتراق. من الممكن أن تتسبب هذه الغازات في التسمم الناجم عن أحادي أكسيد الكربون. بعد تركيب شفط المطبخ أو مستخرجات دخان الطهي الأخرى، يجب اختبار تشغيل الأجهزة بالمداخن المفتوحة التي تعمل بالغاز بواسطة شخص كفاء لضمان عدم حدوث تدفق خلفي لغازات الاحتراق.

لاستخدام المنتج الآمن ولمعرفة جميع الخواص والوظائف:

- اقرأ دليل تعليمات الاستخدام هذا بعناية قبل التركيب وطلب الفنيين.
- يجب توليه انتباه خاص لتحذيرات السلامة!
- يمكن استخدام الجهاز فقط على النحو الموصوف في دليل التعليمات هذا.

- احتفظ بدليل التعليمات.

- في حالة تمرير الجهاز لطرف ثالث، قدم له أيضاً دليل التعليمات.

عميلنا العزيز،

شكراً لك لاختيارنا!

تهانينا لشراء شفاط المطبخ الجديد.

لاستخدام الجهاز بأمان وللاطلاع بشكل أفضل على جميع خواصه ووظائفه:

- اقرأ دليل التعليمات بعناية قبل تركيب الجهاز وتوصيله بالكهرباء.

- يجب توليه انتباه خاص لتحذيرات السلامة!

- يجب استخدام الجهاز فقط وفقاً للتعليمات التي ترد بدليل المستخدم هذا.

- احتفظ بدليل التعليمات للرجوع إليه في المستقبل.

- في حالة تمرير الجهاز لطرف ثالث، يجب أيضاً تقديم دليل التعليمات له.

معلومات عامة

عند تبادل المعلومات مع الشركة المصنعة، يُرجى ذكر الرقم التسلسلي وبيانات التعريف الموضحة على ملصق التقدير.

تم تصميم هذا الجهاز، واختباره وتصنيعه مع الامتثال الكامل لجميع المعايير ذات الصلة المعنية:

بالسلامة: CEI/EN 60335-1; CEI/EN 60335-2-31;

الأداء: CEI/EN 61591; CEI/EN 60704-1; CEI/EN 60704-2-13; EN 50564; CEI

62301

EMC: EN 55014-1; EN 55014-2; CEI/EN 61000-3-2; CEI/EN 61000-3-3

توصيات الاستخدام الملائم للجهاز التي تهدف إلى الحد من الأثر البيئي: عند البدء بالطهي، قم بتشغيل الشفاط على

أقل سرعة واطفئه بعد بضعة دقائق من الانتهاء من الطهي. تُرفع سرعة الشفاط فقط في حالة وجود كميات كبيرة من

الأبخرة والأدخنة، وتُستخدم وظيفة تعزيز الطاقة فقط في حالة الضرورة القصوى. يُنظف مرشح الدهون فقط في حالة

الضرورة، وذلك حفاظاً على كفاءته مع الوقت. تُستخدم شبكة الأنابيب بأكبر قطر موضح في هذا الدليل، وذلك لرفع

الكفاءة وتقليل مستويات الضجيج.

يشير الرمز على الجهاز أو على المستندات الخاصة به أنه لا ينبغي معاملة هذا المنتج كنفائات منزلية،

بل يجب تسليمه إلى نقطة تجميع محددة لإعادة تدوير المعدات الكهربائية والإلكترونية. يساعد التخلص

من هذا المنتج بشكل ملائم على تقليل استهلاك المواد الخام والتلوث البيئي. للحصول على مزيد من

المعلومات المفصلة حول إعادة تدوير هذا الجهاز، يُرجى الاتصال بالمكتب المحلي بمدينتك وخدمة

التخلص من النفايات المنزلية في منطقتك أو المتجر الذي اشتريته منه الجهاز.



قطع الغيار

تُستخدم قطع الغيار الأصلية فقط. ينبغي استبدال قطع الغيار قبل أن تُستهلك وتبلى. قم بعمليات فحص الصيانة بشكل منتظم، على النحو المفصل في قسم "الصيانة".

الضمان

للاستفادة من ضمان الشركة المصنعة، ينبغي على المستخدمين اتباع التعليمات الموضحة في هذا الدليل بدقة، ويلتزمون بشكل خاص بالتالي:

- يُستخدم الشفاط فقط في الأغراض المخصصة له،
 - تُجرى عمليات صيانة دقيقة ومنتظمة،
 - يُسمح باستخدام الشفاط فقط للأشخاص الذين لديهم مهارات مثبتة ومعرفة فنية.
- عدم الالتزام بالامتثال إلى التعليمات الواردة في هذا الدليل يؤدي إلى إلغاء ضمان الشركة المصنعة على الفور.

تعليمات التركيب

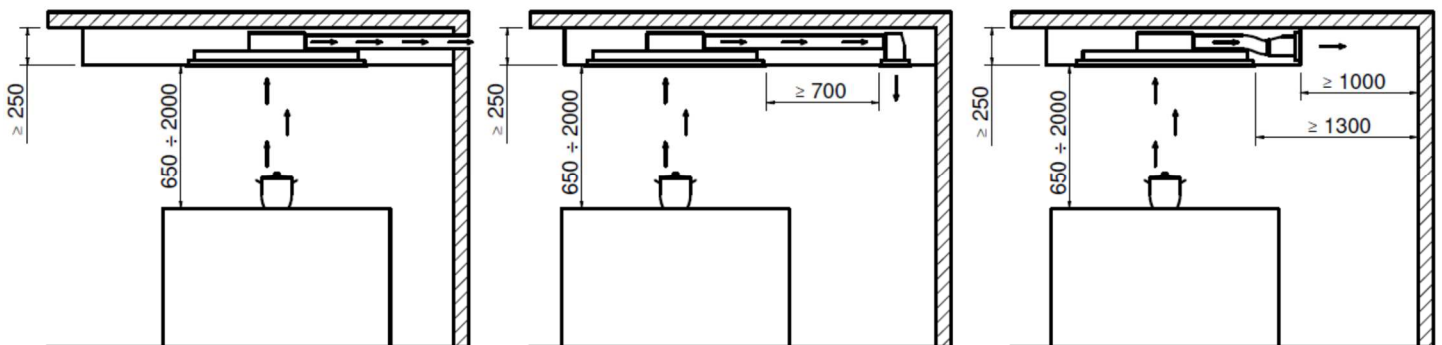
- تتم عمليات التركيب والتوصيل الكهربائي وفقاً لهذه التعليمات وبالاستعانة بمختصين مؤهلين.
- ارتدي قفازات وقائية قبل التركيب وأثناءه.
- تأكد أن المواد الملحقة المرفقة مع الجهاز (أدلة إرشادية، قطع تكميلية، إلخ) غير موضوعة داخل الشفاط: في هذه الحالة أخرجها واحتفظ بها.
- قد تشير الأشكال الموضحة في دليل التركيب هذا أيضاً إلى عناصر جمالية مختلفة من الجهاز. وفي كل الأحوال، يظل التركيب، والصيانة والتعليمات كما هي.

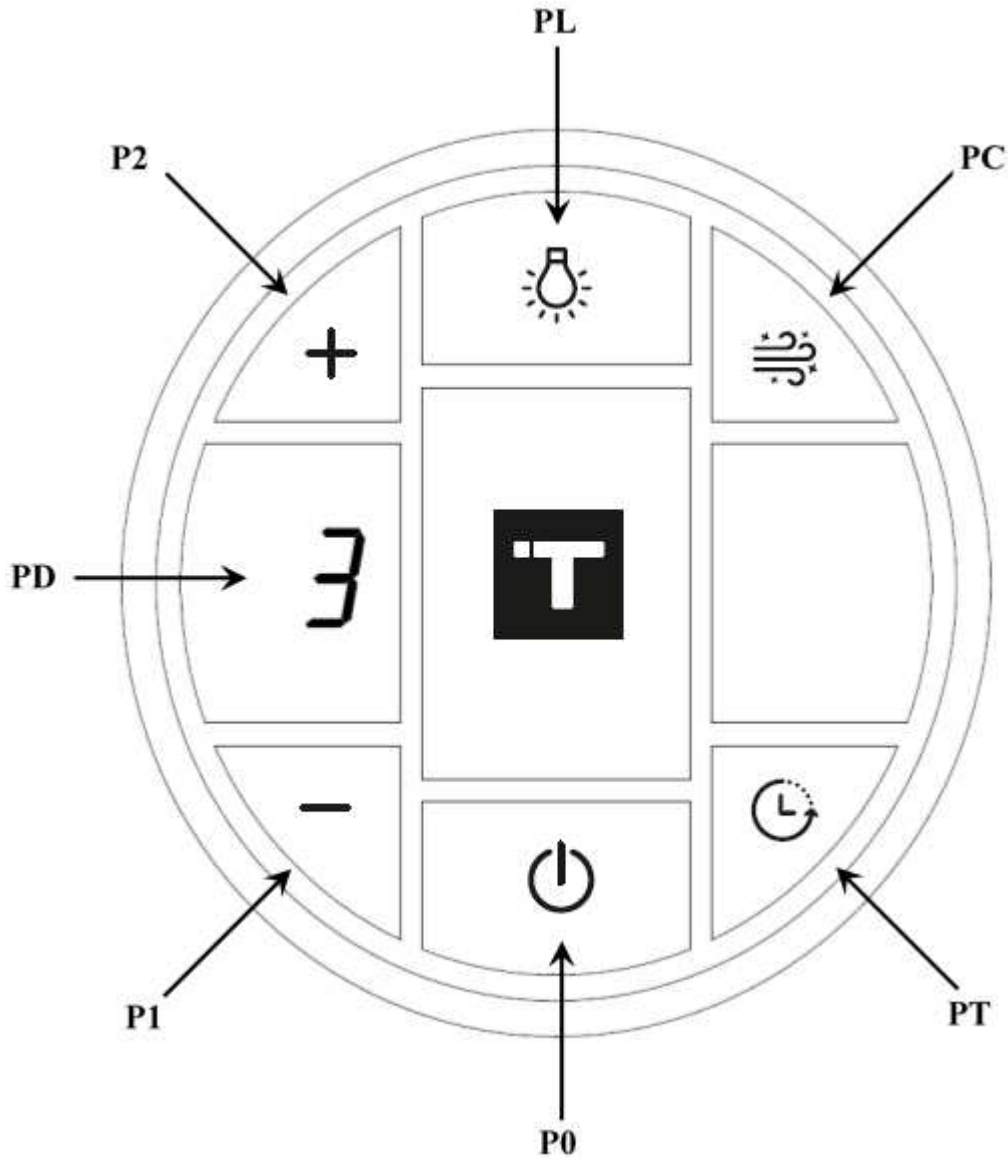
أقل مسافة آمنة للتركيب

يجب ألا تقل المسافة ما بين الموقد الكهربائي والجزء السفلي من الشفاط عن 550 مم، في حين يجب ألا تقل ما بين الموقد الغاز والجزء السفلي من الشفاط عن 650 مم.

تتراوح مسافة التركيب الموصى بها ما بين شفاط السقف والموقد ما بين 1300 و 1500 مم، بينما تبلغ المسافة القصوى 2000 مم.

هذا الشفاط مصمم ليُركب على السقف بكل من الموديل الشفاط بإخراج الأدخنة إلى الخارج والموديل المزود بالمرشحات بشراء المعدات المناسبة (113290025).





سيصل جهاز التحكم عن بعد مبرمجاً مسبقاً مع الشفاط، وإن حدث لأي سبب أن فقد جهاز التحكم عن بعد الاتصال بالجهاز، قم بالإجراء التالي:

- افصل الجهاز عن إمدادات الطاقة،
 - انتظر بضع ثوان وأعد توصيل الطاقة، وخلال 10 ثوان اضغط زري "P1" و"PT" في نفس الوقت لمدة 3 ثوان.
- سيعود جهاز التحكم عن بعد قابلاً للتشغيل مرة أخرى.

الوظائف

- P0:** مفتاح تشغيل/إطفاء الموتور
عند ضبط الموتور على وضع الإطفاء، سيظهر على الشاشة صفر "0" لحوالي ثانية واحدة.
- P1:** مفتاح لتقليل سرعة الموتور، فإذا كان الشفاط يعمل على أول سرعة، ينطفئ الموتور.
- P2:** مفتاح لزيادة سرعة الموتور، فإذا كان الشفاط مطفأ يشغله على أول سرعة، والضغط لمرة ثانية ينشط السرعة الثانية، والضغط للمرة الثالثة ينشط السرعة الثالثة، والضغط للمرة الرابعة ينشط السرعة الرابعة، والضغط للمرة الخامسة ينشط السرعة الخامسة (أول سرعة عالية) (**)، والضغط للمرة السادسة ينشط السرعة السادسة (ثاني سرعة عالية) (**).
- أرقام السرعات المحددة تظهر على الشاشة ("1"، "2"، "3"، "4"، "5"، "6").

(**) السرعات العالية: يدوم تشغيل السرعات العالية لـ 6 دقائق وبعدها تعود الإلكترونيات أوتوماتيكياً إلى السرعة الرابعة.

PL: مفتاح تشغيل/إطفاء المصابيح

شدة الإضاءة: بالضغط على زر "PL" لمدة طويلة مع تشغيل المصابيح، ستبدأ شدة الإضاءة في الانخفاض حتى تصل إلى أقل قيمة، وإطلاق الأزرار يقاطع انخفاض شدة الإضاءة. عند الوصول إلى أقل قيمة والضغط على مفتاح "PL" مرة ثانية لمدة طويلة، ستبدأ شدة الإضاءة في الارتفاع حتى تصل إلى أعلى قيمة، وعند إطلاقه يتوقف عند درجة الإضاءة التي وصل إليها.

لون الإضاءة: بعد إطفاء الشفاط والمصابيح، اضغط واستمر في الضغط على زر "PL" حتى يدخل المصباح الـ LED على الشفاط في قائمة الإضاءة الديناميكية. بضغطة مفردة على مفتاح "PL" سيكون لديك مجموعة متنوعة من درجات ألوان المصابيح من 2700 درجة كلفن إلى 4000 درجة كلفن في 10 خطوات. عند الوصول إلى الدرجة المرغوبة، يجب أن تنتظر 10 ثوان ليتوقف المصباح الـ LED على الشفاط عن الموميض ويتم حفظ الوظيفة.

PC: مفتاح تشغيل/إطفاء FRESH AIR

تنشيط/إلغاء تنشيط Fresh Air بالضغط على زر "PC" لمرة واحدة ستدخل في قائمة وظيفة Fresh Air/Clean Air. ثم بالضغط على زر "PC" مرة ثانية لمدة طويلة مع إطفاء الشفاط، ستنشيط وظيفة Fresh Air (سيظهر على الشاشة "C"). تتيح هذه الوظيفة تشغيل المحرك على السرعة الأولى لمدة 10 دقائق يتبعها 50 دقيقة من وضع الاستعداد. يظل هذا الخيار نشطاً لمدة 24 ساعة. لإلغاء تنشيط وظيفة Fresh Air، اضغط على مفتاح "PC" أو "P0" مرة أخرى. عند تنشيط هذه الوظيفة، ومع تشغيل المحرك وضبطه على وضع الاستعداد، سيومض المصباح الـ LED بالشفاط كل 5 ثوان.

تنشيط/إلغاء تنشيط Clean Air: بالضغط على زر "PC" لمرة واحدة ستدخل في قائمة وظيفة Fresh Air/Clean Air. ثم، بالضغط على زر "PC" لمرة واحدة، تُنشيط وظيفة Clean Air (تظهر "C" على الشاشة).

عند تنشيط هذه الوظيفة، يُضبط الموتور على أعلى سرعة لمدة 6 دقائق، وبنهاية هذه المدة ينطفئ هذا الموتور أوتوماتيكياً.

لإلغاء تنشيط هذه الوظيفة، اضغط مفتاح "PC" أو مفتاح "P0".

ملاحظة: يمكن تنشيط هذه الوظيفة فقط أثناء تشغيل الشفاط وتأخذ الأولوية قبل جميع وظائف الموتور النشطة الأخرى.

PT: زر الموقت (تظهر "T" على الشاشة)

يجري الموقت عدداً تنازلياً لمدة 15 دقيقة ويمكن تنشيطه فقط أثناء تشغيل المحرك.

لا تتغير مدة الـ 15 دقيقة حتى مع تعديل السرعات أثناء العد التنازلي.

بعد انتهاء الـ 15 دقيقة، يتوقف المحرك.

PD: الشاشة

تنشيط/إلغاء تنشيط الجرس: الشفاط مزود بجرس منشط بشكل افتراضي، فإذا رغبت في إلغاء تنشيطه، أطفئ الجهاز وأضئ المصابيح بالضغط على مفتاح "PL"، ثم اضغط واستمر في الضغط على مفتاحي "P1" "PT" حتى يعمل الشفاط بدون إشارة صوتية. عند الرغبة في إعادة تنشيطه، كرر العملية الموصوفة أعلاه، حينها سيضيء المصباح الـ LED وتصدر الإشارة الصوتية للتأكيد.

ملاحظة: توفيراً لطاقة البطارية، تظل الشاشة نشطة لحوالي 4 ثوان، وتنطفئ بعد ذلك. للاطلاع على الوظائف اختر أي مفتاح ليعاد تنشيط الشاشة.

يوجد مصباح LED في هيكل الشفاط يعمل بمثابة مؤشر لوضع تشغيل الموتور الذي يعمل بسرعة وفقاً لهذه المعايير:

المحرك مطفاً، المصباح الـ LED مطفاً،

الموتور يعمل على السرعة الأولى لون المصباح الـ LED أزرق،

الموتور يعمل على السرعة الثانية لون المصباح الـ LED أخضر،

الموتور يعمل على السرعة الثالثة لون المصباح الـ LED أصفر،

الموتور يعمل على السرعة الرابعة لون المصباح الـ LED أحمر،

السرعة الخامسة (سرعة عالية) لون المصباح الـ LED أحمر أرجواني (يومض بشكل متقطع لثانية واحدة لمدة 6 دقائق ثم يعود إلى السرعة الرابعة).

السرعة السادسة (سرعة عالية) لون المصباح الـ LED زهري (يومض بشكل متقطع لثانية واحدة لمدة 6 دقائق ثم يعود إلى السرعة الرابعة).

عند تنشيط المؤقت وبحسب السرعة المضبوطة، يومض مصباح الـ LED المقابل بشكل متقطع لمدة ثانية واحدة،

وبنهاية مدة الـ 15 دقيقة، بالسرعات غير العالية، ينطفئ المحرك ولا تنطفئ الإضاءة. فيما يتعلق بالسرعات

العالية، عندما يكون المؤقت نشطاً، يحافظ على السرعة المضبوطة لأول 6 دقائق ثم ينهي الـ 9 دقائق المتبقية على السرعة الرابعة.

عند ضبط وظيفة Clean Air، يظل مصباح الـ LED الأزرق الفاتح على وضع الاستعداد، ويتحول الموتور إلى السرعة السادسة وبعد 6 دقائق ينطفئ الموتور ولا تنطفئ الإضاءة.

عند ضبط وظيفة Fresh Air، يومض المصباح الـ LED الأزرق بشكل متقطع لمدة 5 ثوان، وعندما يكون

الجهاز مطفاً، يبدأ المحرك بالعمل على السرعة الأولى لمدة 10 دقائق ثم يبقى منطفأ لمدة 50 دقيقة وهكذا حتى يتم إطفاء الوظيفة.

إشارة تنظيف مرشح الدهون المعدني

بعد 30 ساعة من التشغيل، يبدأ مصباح الـ LED الأخضر في الوميض لمدة 20 ثانية مشيراً إلى وجوب تنظيف

المرشحات. لإعادة ضبط المرشحات، اطفئ الشفاط واضغط على مفتاح "P0" لمدة 3 ثوان أثناء وميض مصباح الـ LED.

إشارة تنظيف المرشح السيراميكي أو طويل العمر

بعد 120 ساعة من التشغيل، يبدأ المصباح الـ LED الأحمر لمدة 20 ثانية مشيراً إلى وجوب تنظيف المرشحات.

لإعادة ضبط المرشحات، اطفئ الشفاط واضغط على مفتاح "P0" لمدة 3 ثوان أثناء وميض مصباح الـ LED.

بكل مرة يُضغط على زر على جهاز التحكم عن بعد، يصدر الشفاط إشارة صوتية للتأكيد على استقبال الإشارة.

الصيانة

تحذير! قبل إجراء أي أعمال تنظيف أو صيانة، افصل الشفاط عن إمدادات الطاقة بفصل الكابل أو بفصل المفتاح الرئيسي في المنزل. يجب ألا تتم أعمال التنظيف والصيانة المعتادة بواسطة الأطفال دون الإشراف عليهم.

التنظيف

يجب المداومة على تنظيف المنتج من الداخل والخارج باستخدام قطعة قماش مبللة بماء فاتر وسائل تنظيف حيادي غير كاشط.

مرشحات الدهون المعدنية

تعمل هذه المرشحات على احتجاز جزيئات الدهون من أذخنة الطهي والحفاظ على موتور الشفاط، لذا تتعرض إلى الانسداد في أوقات مختلفة بحسب استخدام الجهاز. يمكن تنظيف المرشحات في غسالة الأطباق بدورات قصيرة ودرجات حرارة منخفضة، بحد أقصى كل شهرين وذلك تجنباً لمخاطر اندلاع الحريق. بعد تنظيف المرشح بضع مرات قد يتغير لونه، وذلك بسبب المنظفات وأملاح غسالة الأطباق. لا يؤثر تغير اللون على وظيفة مرشح الدهون.

المرشحات السيراميكية

تعمل هذه المرشحات على احتجاز الروائح الكريهة وتنقية الهواء الذي يُعاد إلى البيئة.

يمكن تنظيف المرشحات السيراميكية في الفرن بدرجة حرارة 200/180 درجة مئوية لحوالي 60/45 دقيقة. يوصى باستبدال المرشحات السيراميكية كل 5 سنوات لضمان أفضل أداء في إزالة الروائح الكريهة.

الإضاءة

الشفاط مزود بإضاءة تستند إلى تكنولوجيا الـ LED عالية الكفاءة، والتي تمتاز باستهلاك طاقة منخفض ومتانة شديدة في ظروف الاستخدام العادية. لاستبدال المرشحات، اتصل بقسم الخدمات.

لا يمكن تحميل الشركة المصنعة المسؤولية عن أي ضرر ينتج عن التركيب أو الاستخدام غير المناسب لهذا الجهاز.

اكتشاف الأعطال وإصلاحها

المشكلة	الأسباب المحتملة	الطول
مصابيح شفاط البوتاجاز لا تضاء	موصل المصباح مفصول	قم بتوصيل موصل المصباح على النحو الموضح في صفحة 5، الشكل 5 من الدليل.
	مفتاح التشغيل/الإطفاء على وضع 0	اضبط مفتاح التشغيل/الإطفاء على وضع 1 على النحو الموضح في الصفحة 4، الصورة 4 من دليل التركيب.
	لا توجد كهرباء	افحص مشغل المصابيح.
	جهاز التحكم عن بعد غير متزامن	قم بمزامنة جهاز التحكم عن بعد على النحو الموصوف في دليل التعليمات من الصفحة 20.

الموصل مفصول	قم بتوصيل موصل الموتور على النحو الموضح في صفحة 6، الصورة 7 من دليل التعليمات.	الموتور لا يعمل
لا توجد كهرباء	افحص مشغل الموتور.	
الكهرباء موصلة لكن الموتور لا يعمل	استبدل الموتور.	
بطارية جهاز التحكم عن بعد أوشكت على النفاذ	استبدل البطارية على النحو الموضح في الصفحة 12، الصورة 20 من دليل التعليمات. تأكد من إدخال البطارية مع مراعاة القطبية الصحيحة.	جهاز التحكم عن بعد لا يعمل
جهاز التحكم عن بعد غير متزامن مع الشفاط	قم بمزامنة جهاز التحكم عن بعد على النحو الموصوف في دليل التعليمات من الصفحة 20.	
مفتاح التشغيل/الإطفاء على وضع 0	اضبط مفتاح التشغيل/الإطفاء على وضع 1 على النحو الموضح في الصفحة 4، الصورة 4 من دليل التركيب.	
لا توجد كهرباء	افحص كابل الطاقة.	
جهاز التحكم عن بعد غير متزامن مع الشفاط	قم بمزامنة جهاز التحكم عن بعد على النحو الموصوف في دليل المستخدم من الصفحة 20.	
مشاكل النظام الكهربائي	افحص إمدادات الطاقة على اللوحة الإلكترونية.	الشفاط لا يعمل
مفتاح التشغيل/الإطفاء على وضع 0	اضبط مفتاح التشغيل/الإطفاء على وضع 1 على النحو الموضح في الصفحة 4، الصورة 4 من دليل التركيب.	
المرشحات الألومونيوم متسخة	فكك المرشحات على النحو الموضح على الصفحة 11، الصورة 17 من دليل التشغيل ونظّف المرشحات.	الشفاط يسحب كمية قليلة من الهواء
مؤشر تنظيف مرشح الدهون المعدني	أعد ضبط المرشحات عندما يكون الجهاز مطفأ بالضغط على زر "P0" على جهاز التحكم عن بعد لمدة 3 ثوان بينما يومض المصباح الـ LED على النحو الموضح في صفحة 22 من دليل التعليمات.	مصباح الـ LED الأخضر يومض لـ 20 ثانية
مؤشر تنظيف المرشح السيراميكي أو طويل العمل	أعد ضبط المرشحات عندما يكون الجهاز مطفأ بالضغط على زر "P0" على جهاز التحكم عن بعد لمدة 3 ثوان بينما يومض المصباح الـ LED على النحو الموضح في صفحة 22 من دليل المستخدم.	مصباح الـ LED الأحمر يومض لـ 20 ثانية



www.teka.com

E461000129 Rev.5